



Volume control with wall plate provides precise level adjustment of single or multiple speaker lines.

FEATURES:

- Mono autoformer attenuator with rotary switch for use with 25V/70V/100V speaker line
- 100W power rating
- 1.5dB per step attenuation (13.5dB total)
- Phoenix style plug-in screw termination strips for pre-wire convenience
- Wire capacity to 14 gauge
- Standard one-gang white wall plate (2.75" x 4.5"), with printing
- Rotary switch, non-continuous rotation — 0-max (10)
- Designed to fit a standard one-gang E.O. box with minimum depth of 2.125" (minimum inside dimensions of 1.875"W x 2.688"H x 2.125"D). Box not included.
- ETL Listed
- Assembled in the U.S.A.

A&E SPECIFICATIONS:

The ETL Listed volume control shall be Lowell model 10015LVC-SW, which shall have a 100W power rating and 1.5dB per step attenuation (13.5dB total). It shall feature phoenix style plug-in screw termination strips for pre-wire and up to 14 gauge wire capacity. The volume control shall include a one-gang white wall plate (2.75" x 4.5") with printing.

OPTIONS: (order separately)

- P1X: One-gang steel surface box with knockouts and white finish. 4.625"H x 2.875"W x 2.5"D. Includes two U-clips.

10015LVC Series Attenuator Summary

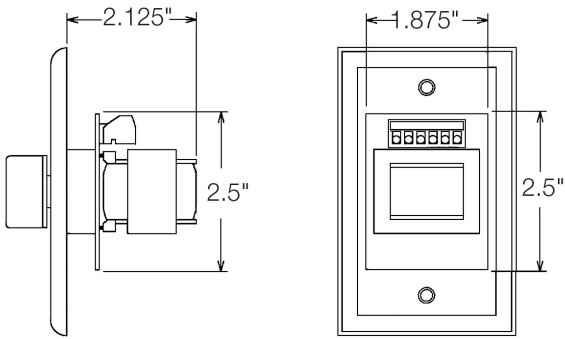
▶ This spec

| Model No. | Power Rating | Attenuation * | Type | Switch | Style | Color | For Use With |
|--------------------|--------------|--------------------|-------------------|---------------|----------------------------|--------------|----------------------------------|
| 10015LVC | 100W | 1.5dB steps | Auto-trans | Rotary | Standard Wall Plate | SS | 25V/70V/100V Speaker Line |
| 10015LVC-SW | 100W | 1.5dB steps | Auto-trans | Rotary | Standard Wall Plate | White | 25V/70V/100V Speaker Line |
| 10015LVC-DA | 100W | 1.5dB steps | Auto-trans | Rotary | Decorator Wall Plate | Almond | 25V/70V/100V Speaker Line |
| 10015LVC-DB | 100W | 1.5dB steps | Auto-trans | Rotary | Decorator Wall Plate | Black | 25V/70V/100V Speaker Line |
| 10015LVC-DW | 100W | 1.5dB steps | Auto-trans | Rotary | Decorator Wall Plate | White | 25V/70V/100V Speaker Line |
| 10015LVC-RM | 100W | 1.5dB steps | Auto-trans | Rotary | Adhesive Label ** | Black | 25V/70V/100V Speaker Line |

* 13.5 dB total

** For rackmount panel





Mounts E.O. Boxes:

- Lowell surface box (P1X)
- 4" Sq. x 2.125"D with raised mud ring (RACO 232, 235, or equiv.)
- One-gang handy box 2.125"D (RACO 670, 671, 678, or equiv.)

Note: Lowell 100W LVC volume controls are deeper than other LVC models so a one-gang handy box will allow only minimal room for control and wiring.

WIRING & SCHEMATICS:

