

L5 Series

lecterns

integration friendly lecterns simplify design and minimize delays

features:

- Frame to Furniture™ design complements an integrator's installation workflow
- Steel frame ships assembled and ready to integrate in the shop or on-site
- Open frame design includes built-in power and provisions for cable and thermal management
- Presenter's Panel™ is designed with the cutouts specified, and ships with the frame (models with Turret only)
- Available in 3 widths
- Unique design allows panels to be replaced quickly and easily
- Panels available in Sota and Klasik styles
- Standard finishes available in Veneer, High Pressure Laminate and Thermolaminate materials



L5-TURFR-WS33 with FIN-TW (Timberwolf)

specifications:

EIA Compliant 19" A/V Lectern shall be Middle Atlantic Products model # L5-___- (refer to chart). A/V Lectern shall be available in 23", 33", or 43" widths, with 1 or 2 rack bays and a storage area, depending on model (refer to chart). Overall dimensions shall be ___" H x ___W" x 28-3/8" D (refer to chart). Usable height shall be 12 rackspaces per bay. A/V Lectern frames shall ship fully assembled and be constructed of steel. Total weight capacity with Middle Atlantic finishing kit shall be ___ lbs. (refer to chart) Each rack bay shall come equipped with 1 pair of 11-gauge steel rackrail tapped with 10-32 mounting holes in universal EIA spacing, black e-coat finish and numbered rackspaces. A/V Lectern rack shall have (1,2) 70 CFM thermostatically controlled fans per bay. A/V Lectern shall have a slide-out keyboard shelf, ___" W x 2.25" H x 12.06" D. A/V Lectern shall have a side shelf with a useable area of 20.93" W x 7.49" H x 7.56" D. A/V Lectern shall have a side with a useable area of 20.93" W x 7.49" H x 7.56" D. Thermostatically controlled fans shall be powered on at 87°F and turn off at 85°F. A/V Lectern shall include a 15 Amp, 8 outlet surge-protected power strip with a 10' cord. Models with turret shall have customizable Presenter's Panel, which can accept touchscreens and other panel mounted devices with an overall size of ___"H x ___"W x ___8.31" D (refer to chart). A/V Lectern shall have venting on the top. A/V Lectern shall be finished in a durable black powder coat. Finishing kit shall ship separately from rack, be available in a Sota or Klasik style and be model # L5-__K-__ (refer to chart), and secured to the Lectern. Top, sides and front doors shall be available in Veneer, High Pressure Laminate and Thermolaminate materials, visit middleatlantic.com for list of available finishes. A/V Lectern rack shall include 4 fine floor casters. A/V Lectern rack shall be GREENGUARD Gold Certified with the exception of Veneer fishes, which shall be GREENGUARD Certified. A/V Lectern rack shall comply with the requirements of RoHS EU Directive 2002/95/EC. A/V Lectern rack shall be manufactured by an ISO 9001 and ISO 14001 registered company. A/V Lectern frame shall be warranted to be free from defects in material or workmanship under normal use and conditions for the lifetime of the rack, fans shall be warranted for a period of three years.

Customizable specification clips available at middleatlantic.com

EIA/TIA COMPLIANT



PRODUCT CERTIFIED FOR
LOW CHEMICAL EMISSIONS
UL.COM/GG
UL 2818

options:

- 8" Gooseneck light with dimmer shall be model #L5-TASKLIGHT18
- Articulating Tablet Mount shall be model #L5-TABLETMT
- Shockmount Microphone Holder shall be model #L5-SHOC-XLR-S
- 4" Clock Timer shall be model # L5-CLOCKTIMER4
- Monitor mount shall be model # MMB-1X1-12C, shall have a VESA 75 and 100 pattern, and have a 25 lb. weight capacity
- Custom 12" x 14" logo, Aluminum shall be model #L5-LOGO14A-XXXXX, Bronze shall be model #L5-LOGO14B-XXXXX, Color shall be L5-LOGO14CXXXXX, Laser shall be L5-LOGO14L-XXXXX
- Millwork Kit shall be model # L5-MK(select width, 23,33,43)-(select hardware color, SN=Satin Nickel, CB=Classic Bronze)

what great systems are built on.™

A Group brand | legrand



Middle Atlantic Products

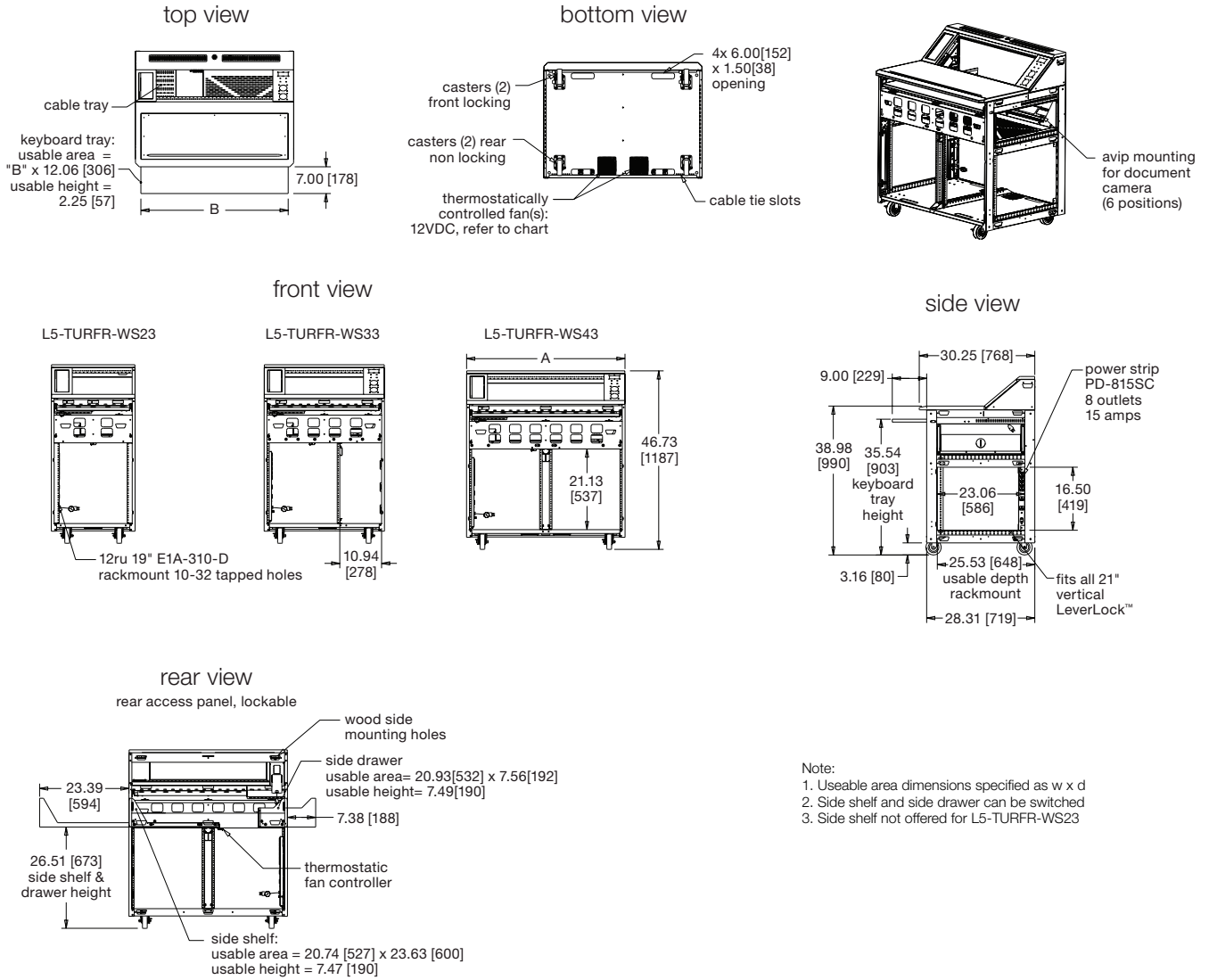
middleatlantic.com | middleatlantic.com

96-01215 / rev d / 2-11-16

L5 Series

basic dimensions

all dimensions in inches unless otherwise noted [all dimensions in brackets are in millimeters]



Note:
1. Useable area dimensions specified as w x d
2. Side shelf and side drawer can be switched
3. Side shelf not offered for L5-TURFR-WS23

Product #	"A" Frame Width	"B" Usable Keyboard Width	19" Rackmount Bays	Weight Capacity [Lbs/Kg]	# of Fans	CFM	DBA	Document Camera Shelf	AVIP Mounting for Document Camera
L5-TURFR-WS23	21.93 [557]	18.99 [482]	1	200 / 91	1	70	29	no	no
L5-TURFR-WS33	31.50 [800]	28.56 [726]	1	300 / 136	1	70	29	yes	yes
L5-TURFR-WS43	41.50 [1054]	38.56 [980]	2	400 / 181	2	140	32	yes	yes

what great systems are built on.™

A Group brand | **legrand**

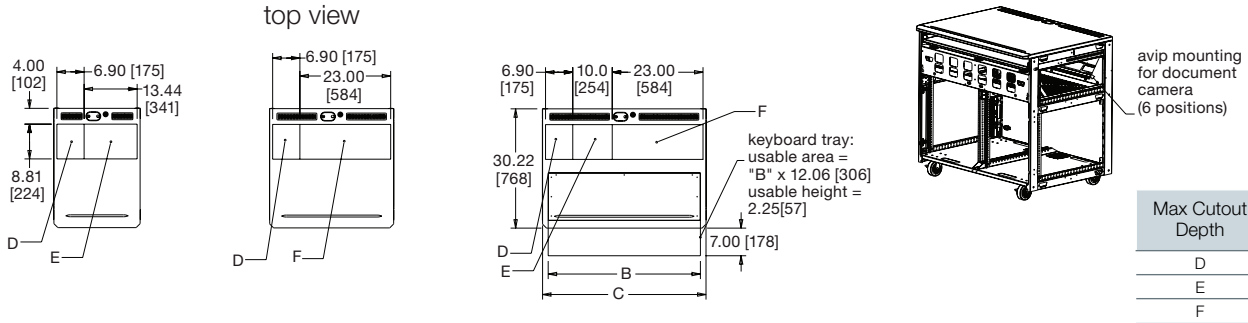
Middle Atlantic Products

middleatlantic.com | middleatlantic.ca

L5 Series

basic dimensions

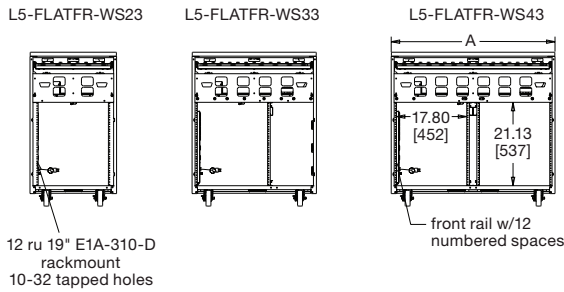
all dimensions in inches unless otherwise noted [all dimensions in brackets are in millimeters]



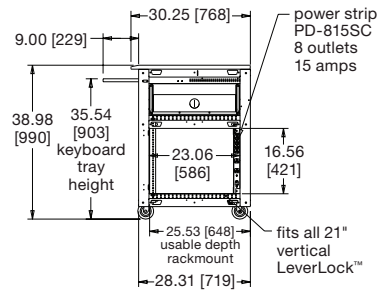
Max Cutout Depth	Dimension
D	4.69 [119]
E	11.31 [287]
F	*4.69 [119]

*Depth of 11.31 [287] without utilizing doc/camera shelf

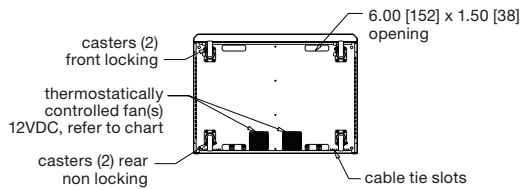
front view



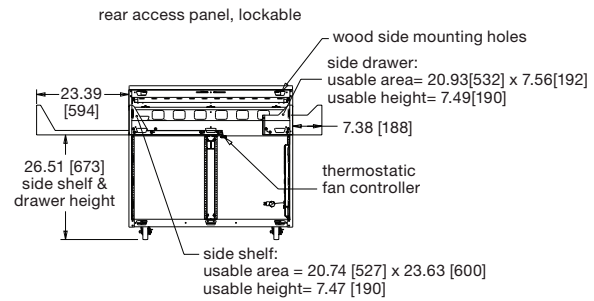
side view



bottom view



rear view



Note:

1. Useable area dimensions specified as w x d
2. Side shelf and side drawer can be switched
3. Side shelf not offered for L5-FLATFR-WS23
4. Thermolaminated MDF

Product #	"A" Frame Width	"B" Usable Keyboard Width	"C" Worksurface Width	19" Rackmount Bays	Weight Capacity [Lbs/Kg]	# of Fans	CFM	DBA	Document Camera Shelf	AVIP Mounting for Document Camera
L5-FLATFR-WS23	21.93 [557]	18.99 [482]	21.84 [555]	1	200 / 91	1	70	29	no	no
L5-FLATFR-WS33	31.50 [800]	28.56 [726]	31.41 [798]	1	300 / 136	1	70	29	yes	yes
L5-FLATFR-WS43	41.50 [1054]	38.56 [980]	41.41 [1052]	2	400 / 181	2	140	32	yes	yes

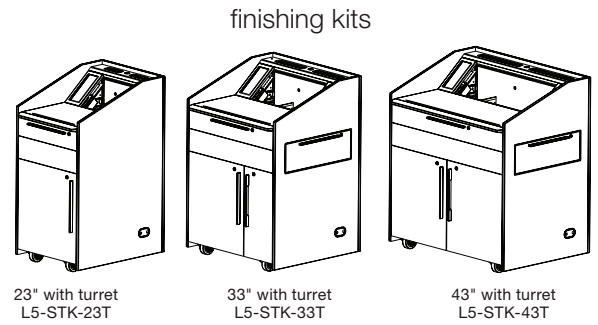
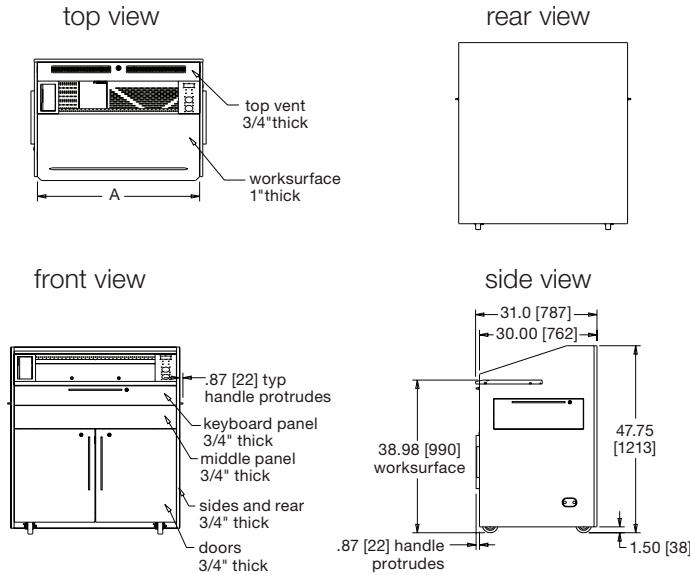
what **great systems** are built on.™

L5 Series

basic dimensions

all dimensions in inches unless otherwise noted [all dimensions in brackets are in millimeters]

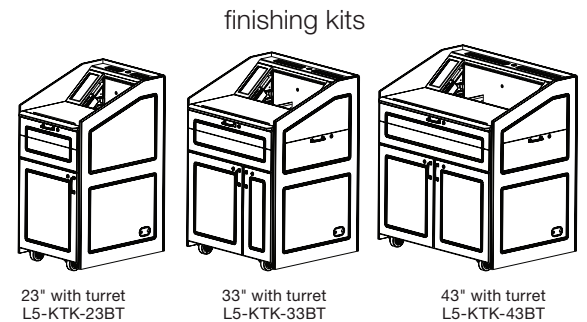
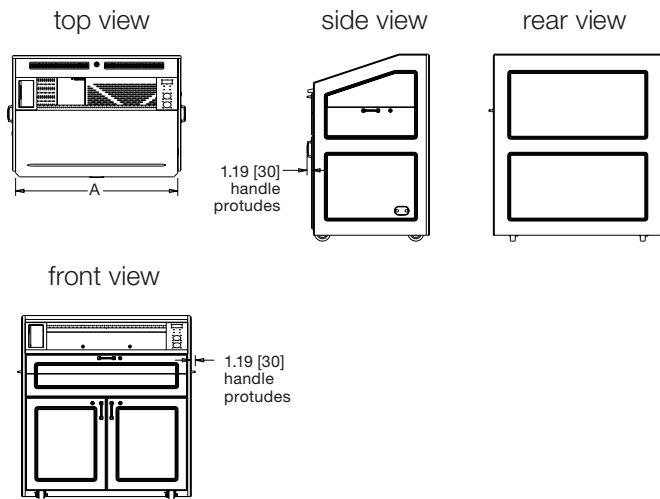
sota style



Finishing Kit (Turret)	"A" Worksurface Width	Style	Use with Frame
L5-STK-23Y	21.84 [555]	sota	L5-TURFR-WS23
L5-STK-33Y	31.41 [798]	sota	L5-TURFR-WS33
L5-STK-43Y	41.41 [1052]	sota	L5-TURFR-WS43

*Y= T For T-Lam Finishes
 *Y= H For HPL Finishes
 *Y= V For Veneer Finishes

klasik style



Finishing Kit (Turret)	"A" Worksurface Width	Style	Use with Frame
L5-KTK-23XY	21.84 [555]	klasik	L5-TURFR-WS23
L5-KTK-33XY	31.41 [798]	klasik	L5-TURFR-WS33
L5-KTK-43XY	41.41 [1052]	klasik	L5-TURFR-WS43

*X= B For Classic Bronze
 *X= N For Satin Nickel
 *Y= T For T-Lam Finishes
 *Y= V For Veneer Finishes

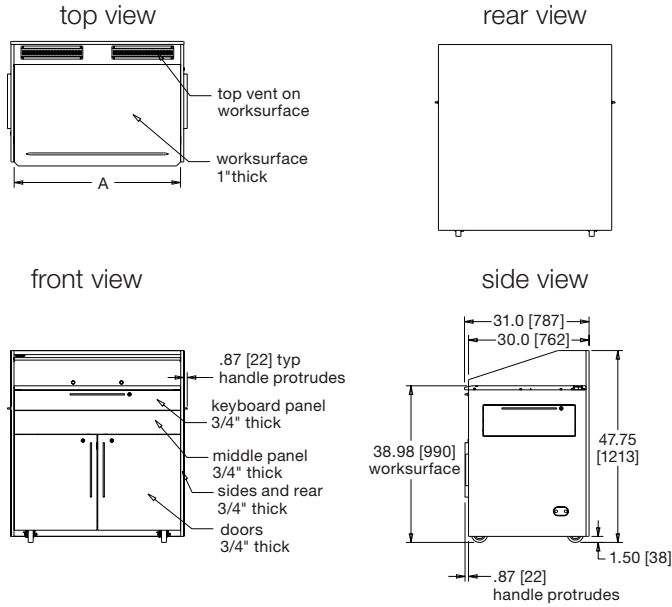
Note: Thermolaminated MDF

L5 Series

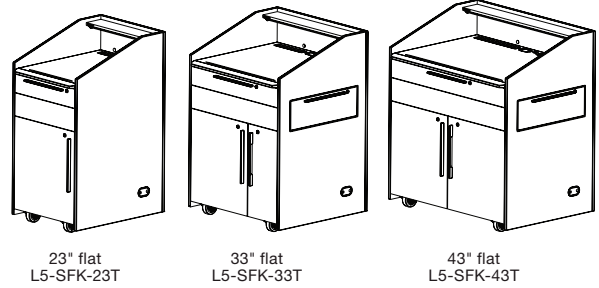
basic dimensions

all dimensions in inches unless otherwise noted [all dimensions in brackets are in millimeters]

sota style



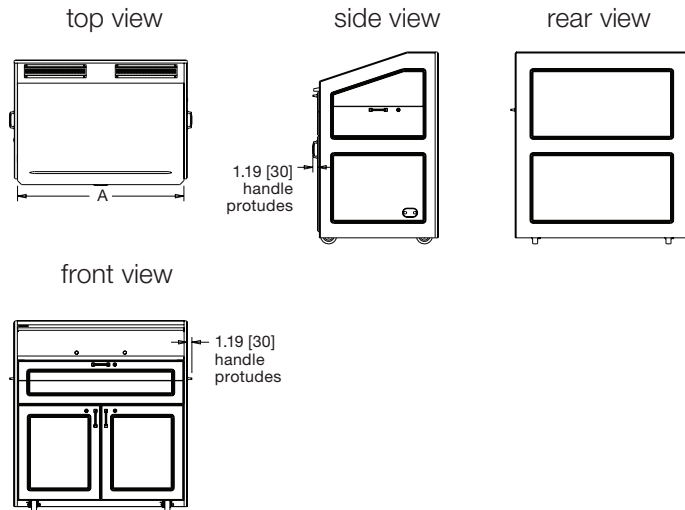
finishing kits



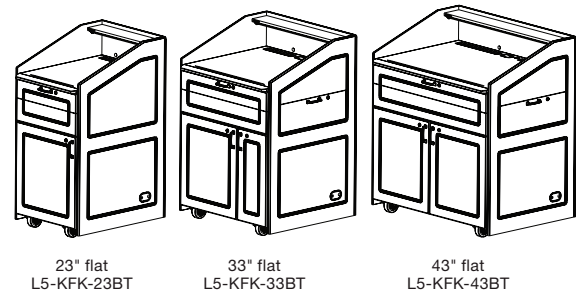
Finishing Kit (Flat)	"A" Worksurface Width	Style	Use with Frame
L5-SFK-23Y	21.84 [555]	sota	L5-FLATFR-WS23
L5-SFK-33Y	31.41 [798]	sota	L5-FLATFR-WS33
L5-SFK-43Y	41.41 [1052]	sota	L5-FLATFR-WS43

*Y' = T For T-Lam Finishes
 *Y' = H For HPL Finishes
 *Y' = V For Veneer Finishes

klasik style



finishing kits



Finishing Kit (Flat)	"A" Worksurface Width	Style	Use with Frame
L5-KFK-23XY	21.84 [555]	klasik	L5-FLATFR-WS23
L5-KFK-33XY	31.41 [798]	klasik	L5-FLATFR-WS33
L5-KFK-43XY	41.41 [1052]	klasik	L5-FLATFR-WS43

*X' = B For Classic Bronze
 *X' = N For Satin Nickel

*Y' = T For T-Lam Finishes
 *Y' = V For Veneer Finishes

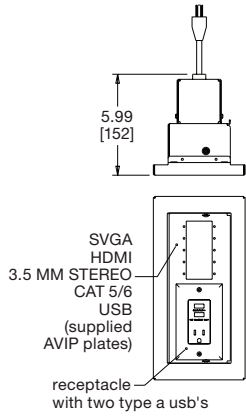
Note: Thermolaminated MDF

L5 Series

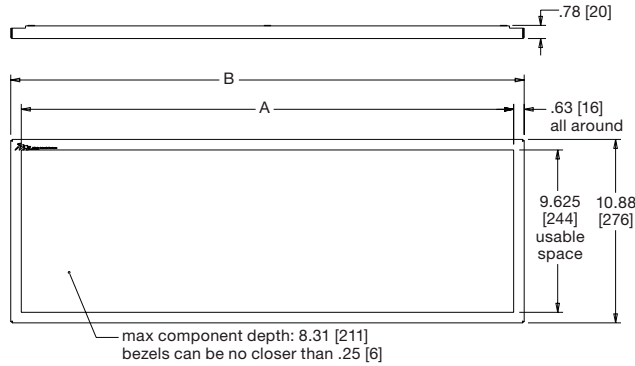
basic dimensions

all dimensions in inches unless otherwise noted [all dimensions in brackets are in millimeters]

PWR/AVIP panel



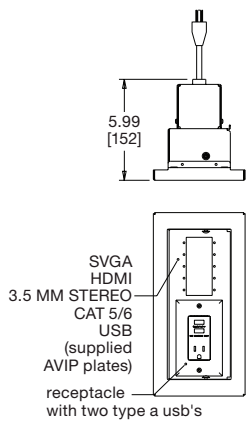
presenter's panel:
L5-TURFR-WS43 / L5-TURFR-WS33



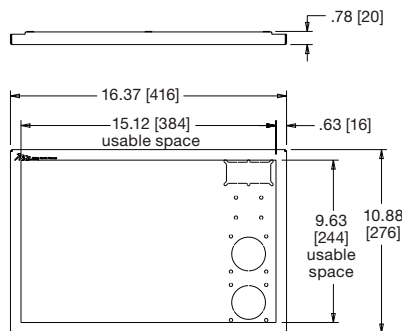
Product #	"A" Usable Panel Width	"B" Panel Width
L5-TURFR-WS33	19.19 [487]	20.44 [519]
L5-TURFR-WS43	29.19 [741]	30.44 [773]

Note: accessory panel not offered for L5-TURFR-WS23, respective features are located on the presenter panel

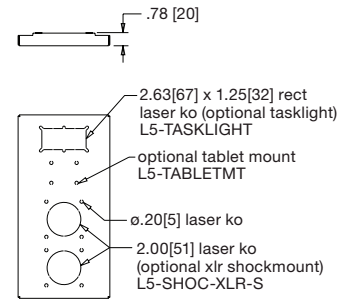
PWR/AVIP panel



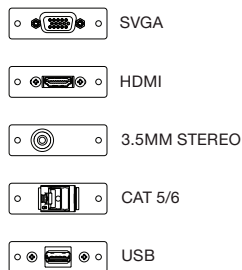
presenter's panel:
L5-TURFR-WS23



accessory panel



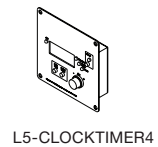
AVIP device plates



accessory panel options



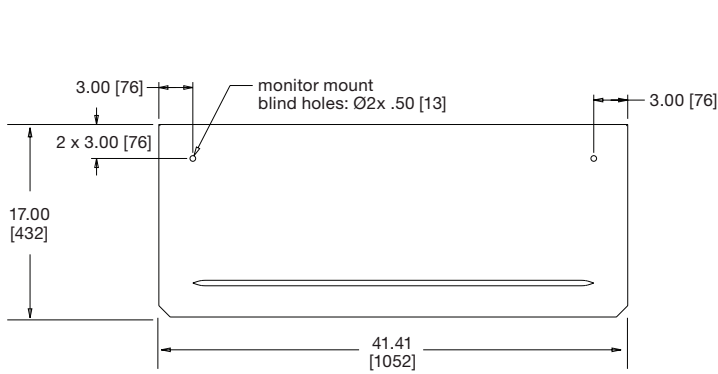
presenter's panel option



L5 Series

basic dimensions

all dimensions in inches unless otherwise noted [all dimensions in brackets are in millimeters]

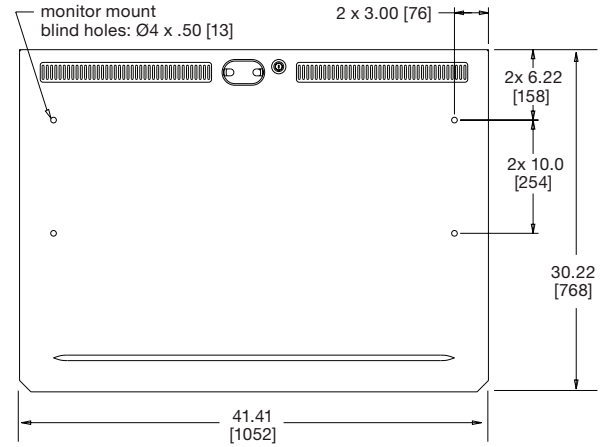


Goes with Turret Frame

L5-TURFR-WS23

L5-TURFR-WS33

L5-TURFR-WS43

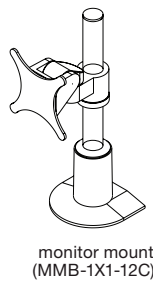
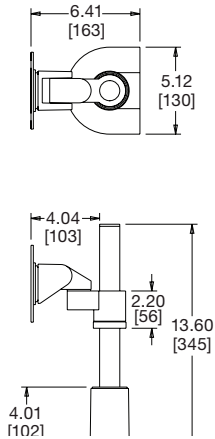


Goes with Flat Frame

L5-FLATFR-WS23

L5-FLATFR-WS33

L5-FLATFR-WS43



Note:

1. Blind holes indicate mounting locations for monitor mount MMB-1X1-12C
2. Monitor capability: VESA 75 mm and 100 mm monitor weight: up to 25 lbs per monitor

what **great systems** are built on.™

A Group brand | **legrand**

Middle Atlantic Products

middleatlantic.com | middleatlantic.ca