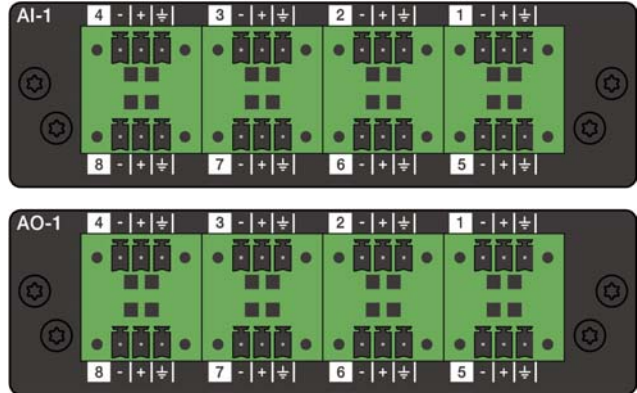


AI-1/AO-1
Eight Channel
Analog Audio Input
and Output Cards



Key Features:

- 118 dB for AO-1, 117 dB for AI-1 Dynamic Range – for Best Audio Performance
- Balanced Inputs and Outputs – High Common Mode Rejection Prevents Long Cables from Picking Up Interference
- Automatic Configuration – Indication (Message) of Installation and Removal of Modules via IRIS Software



General Description:

The AO-1 and AI-1 are eight-channel analog audio modules for the NetMax N8000 System Controller. Audio signals are connected via screw-lockable Euro block connectors. A-to-D conversion is taken care of by high performance linear 24-bit converters. Internally the signals are processed in 48-bit word length.

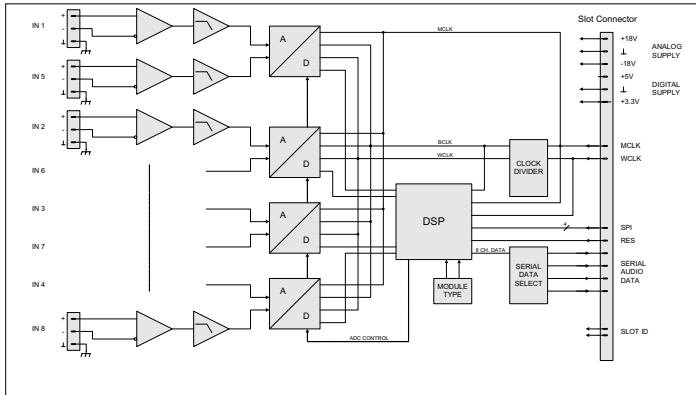
Technical Specifications (AI-1):

Supply Voltage / Current	+3.3 V DC, ±0.3 V / 35 mA +18 V DC, ±0.5 V / 360 mA -18 V DC, ±0.5 V / 105 mA
Audio Inputs	8 x 3-pole Euro block connectors, electronically symmetric
Input Level (Nominal)	+6 dBu / 1.55 V
Input Level (Max. Before Clip)	+21 dBu / 8.7 V
Input Impedance	20 kOhms
Common Mode Rejection	> 70 dB
A/D Conversion	24 Bit, Sigma-Delta, 128 times oversampling
Frequency Response	20 Hz - 20 kHz (-0.5 dB)
Signal to Noise Ratio (A-Weighted)	117 dB typical
THD+N	< 0.005%
Sample Rate	48 kHz
Data Format	24 Bit linear A/D conversion, 48 Bit processing
Signal Delay	1.3958 ms
Operating Temperature Range	0 °C ... 40 °C
Dimensions (W x H x D)	114mm x 33mm x 258.5mm 4.49" x 1.30" x 10.18"
Weight	200 g (0.44 lb)

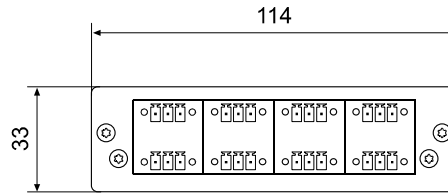
Technical Specifications (AO-1):

Supply Voltage / Current	+3.3 V DC, ±0.3 V / 140 mA +5 V DC, ±0.25 V / 190 mA +18 V DC, ±0.5 V / 270 mA -18 V DC, ±0.5 V / 160 mA
Audio Inputs	8 x 3-pole Euro block connectors, electronically symmetric
Input Level (Nominal)	+6 dBu / 1.55 V
Input Level (Max. Before Clip)	+21 dBu / 8.7 V
Input Impedance	100 Ohms
Min. Load Impedance	600 Ohms
D/A Conversion	24 Bit, Sigma-Delta, 128 times oversampling
Frequency Response	20 Hz - 20 kHz (-0.5 dB)
Signal to Noise Ratio (A-Weighted)	118 dB typical
THD+N	< 0.005%
Sample Rate	48 kHz
Data Format	24 Bit linear D/A conversion, 48 Bit processing
Signal Delay	646 µs
Operating Temperature Range	0 °C ... 40 °C
Dimensions (W x H x D)	114mm x 33mm x 258.5mm 4.49" x 1.30" x 10.18"
Weight	260 g (0.57 lb)

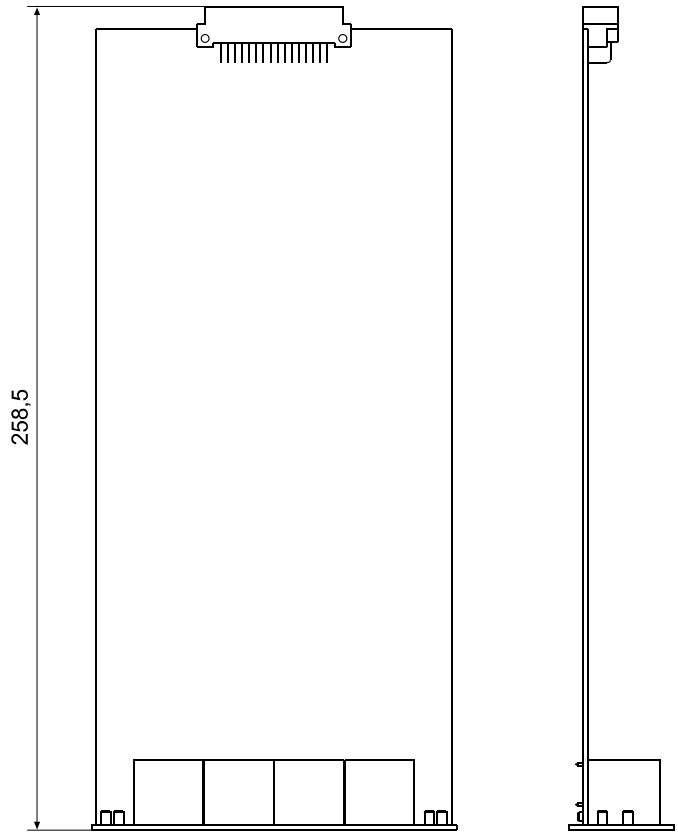
Block Diagram (AI-1):



Dimension Drawings:



Rear View

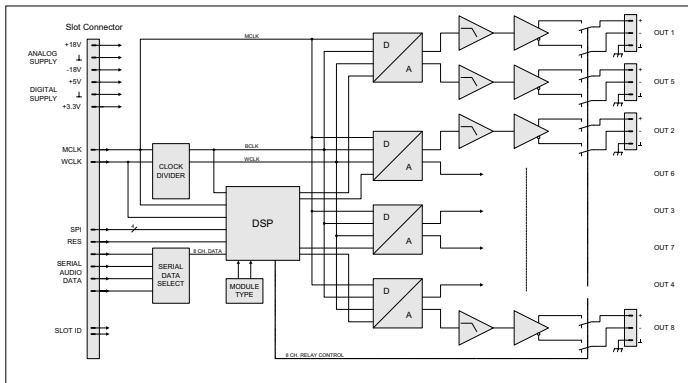


Top View

Side View

All Dimensions in Millimeters

Block Diagram (AO-1):



AI-1 Part Number:

AI-1 – D170324

AO-1 Part Number:

AO-1 – D170326



12000 Portland Avenue South, Burnsville, MN 55337

Phone: 952/884-4051, Fax: 952/884-0043

www.electrovoice.com

© Telex Communications, Inc. 1/2006

Part Number LIT-0000XX Rev. 1

U.S.A. and Canada only. For customer orders, contact Customer Service at:

800/392-3497 Fax: 800/955-6831

Europe, Africa, and Middle East only. For customer orders, contact Customer Service at:

+ 49 9421-706 0 Fax: + 49 9421-706 265

Other International locations. For customer orders, contact Customer Service at:

+ 1 952 884-4051 Fax: + 1 952 736-4212

For warranty repair or service information, contact the Service Repair department at:

800/685-2606

For technical assistance, contact Technical Support at: 866/78AUDIO

Specifications subject to change without notice.