

CPS4.5

CONTRACTOR PRECISION SERIES

CPS4.5
High-Efficient, Lightweight
Four-Channel
Power Amplifier



Key Features:

- 4 x 500 W
- High Efficient Class-D Design
- 2 U Rack Space
- Detent Rear Level Controls
- Complete Protection Package
- Dynamic Limiter
- Phoenix Type Inputs and Outputs
- Remote Power On/Off



General Description:

The Electro-Voice CPS4.5 amplifier offers four independent Class-D Variable Load Drive (VLD) amplifier blocks, each one capable of delivering up to 500 Watts into Low-Z or High-Z loads. Per default, each channel can be configured individually for max. power output into either 2 Ohms, 4 Ohms, 70V- or 100V- networks without involvement of any output transformers. Being designed for professional audio installation market, special care was taken for long term cost of ownership parameters: In addition to remarkably low current consumption and heat dissipation, the CPS4.5 provides remote standby switching with just 5 Watts consumption in standby mode. An optional remote control module RCM-810 provides control and supervision features via IRIS-Net, including monitoring of amplifier status and real time load supervision. In addition, via RCM-810 the Variable Load Drive characteristics can be set for max. power output into any load between 2 Ohms and 10 Ohms, in steps of 0.1 Ohm.

Technical Specifications:

Maximum Midband Output Power 2, 4, 8 Ohms VLD, 70, 100 V (THD = 1%, 1 kHz, 4 channels driven)	500 W
Rated Output Power 2, 4, 8 Ohms VLD, 70, 100 V (THD < 0.3%, 20 Hz - 20 kHz, 4 ch. driven)	450 W
Maximum Bridged Output Power 4, 8 Ohms, 70, 100 V (THD = 1%, 1 kHz)	1000 W
Maximum RMS Voltage Swing 2, 4, 8 Ohms VLD, 70, 100 V (THD = 1%, 1 kHz)	32 V, 45 V, 63 V, 70 V, 100 V
Power Bandwidth (THD = 1%, ref. 1 kHz, half power @ 2 - 8 Ohms, 70 - 100V)	10 Hz - 25 kHz, 50 Hz - 25 kHz
Voltage Gain, ref. 1 kHz 2 - 8 Ohms, 70, 100 V	32 dB, 33 dB, 36 dB

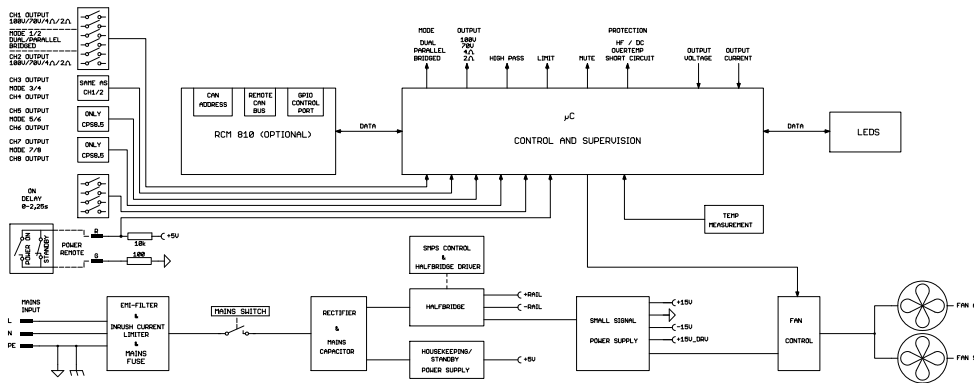
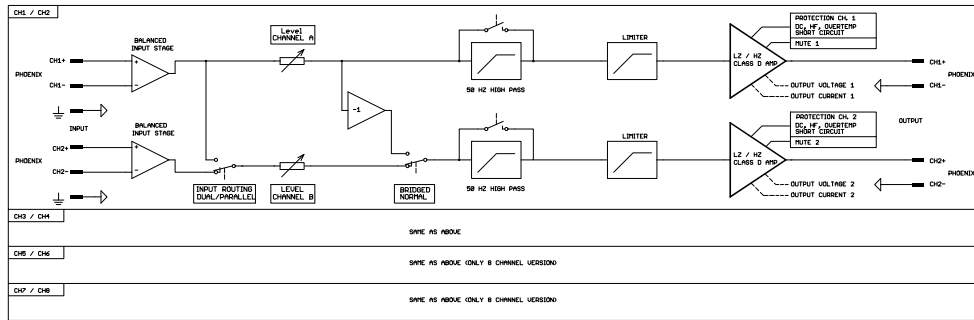
Input Sensitivity, rated power, 1 kHz 2, 4, 8 Ohms, 70, 100 V	+0.0 dBu (0.775 V), +3.0 dBu (1.1 V), +3.0 dBu (1.1 V), +6.0 dBu (1.55 V), +6.0 dBu (1.55 V)
THD at rated output power (MBW = 80 kHz, 1 kHz)	< 0.05%
IMD-SMPTE (60 Hz, 7 kHz)	< 0.05%
DIM 30 (3.15 kHz, 15 kHz)	< 0.02%
Maximum Input Level	+22 dBu (9.76 V _{rms})
Crosstalk (ref. 1 kHz, at rated output power)	< -80 dB
Frequency Response (± 1 dB, ref. 1 kHz, 8 Ohm)	15 Hz - 30 kHz
Input Impedance, active balanced	20 kOhm
Damping Factor @ 1 kHz	> 240
Slew Rate	28 V/μs
Signal to Noise Ratio Amplifier 2, 4, 8 Ohms, 70, 100 V (A-Weighted)	98 dB, 100 dB, 100 dB, 104 dB, 106 dB
Output Noise (A-Weighted) 2, 4, 8 Ohms, 70, 100 V	< -66 dBu, < -65 dBu, < -65 dBu, < -65 dBu, < -64 dBu
Power Requirements	220 - 240 V, 120 V or 100 V, 50 - 60 Hz
Power Consumption (1/8 max. output power)	490 W
Protection	Audio limiters, High temper- ature, DC, HF, Short circuit, Peak current limiters, Inrush current limiters, Turn-on delay, Mains Circuit Breaker Pro- tection, Mains Over/Under- voltage Protection
Cooling	Front-to-rear, continuously temperature controlled fans
Safety Class	Class I
Dimensions (without detachable rack ears, W x H x D)	19.0" x 3.5" x 14.77" (483 mm x 88.1 mm x 380 mm)
Net Weight	24.5 lbs (11.1 kg)
Shipping Weight	34.0 lbs (15.4 kg)

Amplifier at rated conditions, all channels driven, rated loads, unless otherwise specified. Depending on the ambient temperature, the unit might reduce the output power at 2 Ω load in Dual Mode or 4 Ω in Bridged Mode.

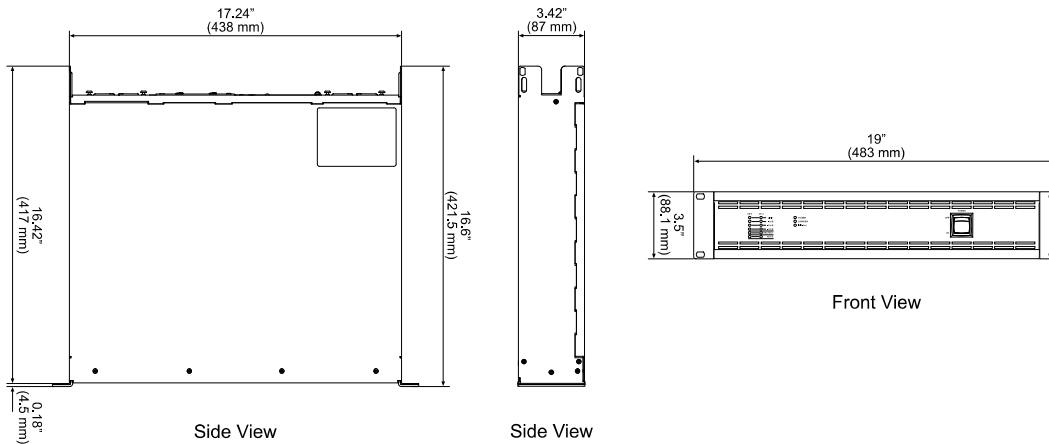
Live For Sound
www.electrovoice.com



Block Diagram:



Dimensions Drawings:



Rear View:



CPS4.5 Part Numbers:
 CPS4.5, 100 V -- F.01U.101.299
 CPS4.5, 120 V -- F.01U.101.298
 CPS4.5, 220-240 V -- F.01U.101.297

Electro-Voice

12000 Portland Avenue South, Burnsville, MN 55337
 Phone: 952/884-4051, Fax: 952/884-0043
 www.electrovoice.com
 © Bosch Communications Systems 02/2011
 Part Number F01U101297 Vs 01

U.S.A. and Canada only. For customer orders, contact Customer Service at: **800/392-3497 Fax: 800/955-6831**
 Europe, Africa, and Middle East only. For customer orders, contact Customer Service at: **+ 49 9421-706 0 Fax: + 49 9421-706 265**
 Other International locations. For customer orders, Contact Customer Service at: **+ 1 952 884-4051 Fax: + 1 952 887-9212**
 For warranty repair or service information, contact the Service Repair department at: **800/685-2606**
 For technical assistance, contact Technical Support at: **866/78AUDIO**

Specifications subject to change without notice.