

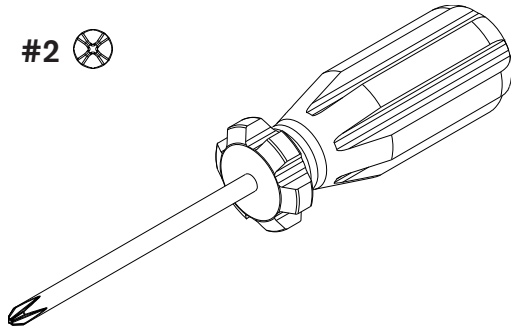
**EVA-AM**  
**Attenuation Module**  
**for EVA Loudspeakers**  
**Installation Instructions**



**Tools Required:**

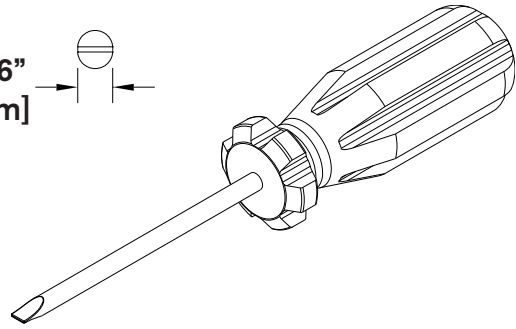
1. #2 Phillips Screwdriver

#2



2. 3/16" (5mm) Flat Blade Screwdriver

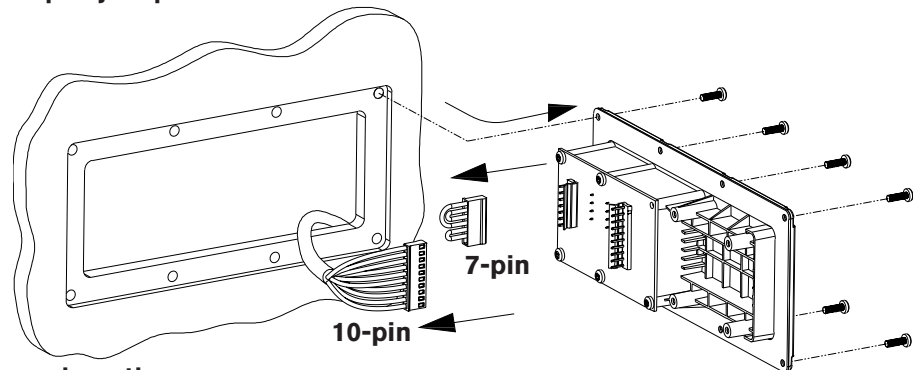
3/16"  
[5mm]



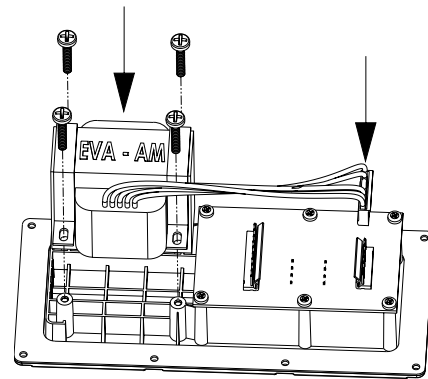
**Instructions:**

1. Remove the input panel by removing the eight screws securing it.
2. Carefully unplug the crossover cable from the 10-pin header.
3. Unplug and discard the 7-pin jumper connector at the far end of the circuit board.

**Figure 1:**  
*Remove panel, unplug  
crossover cable and jumper*



4. With the green circuit board on the right, place the attenuation module in the pocket provided for it on the left with the lead wires from the module pointing toward you.
5. Secure the EVA-AM mounting ears to the four input panel bosses with the four #10 screws provided. Carefully tighten the screws evenly in an X-cross pattern to avoid warping the plastic input panel.
6. Plug in the 7-pin wiring harness connector from the attenuation module where the 7-pin jumper was removed in step 3.

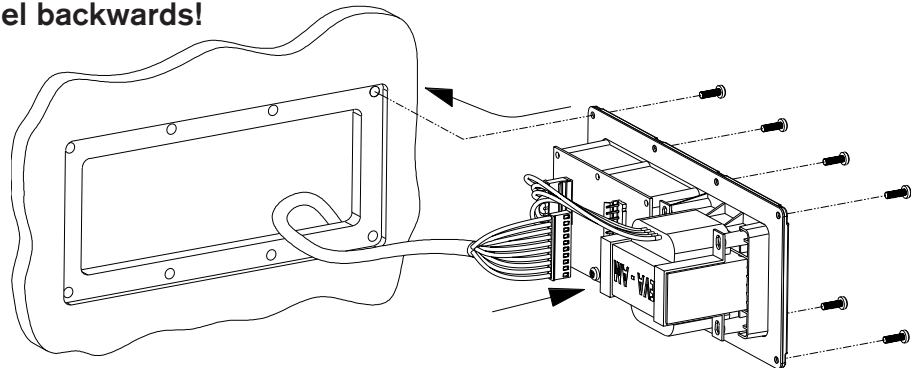


**Figure 2:**  
*Attach module and plug in  
7-pin module connector*

7. Reconnect the 10-pin connector from the crossover and reinstall the input panel. EVA-AM must be on the enclosure center-line to maintain horizontal center of gravity. Do not install input panel backwards!

**Figure 3:**

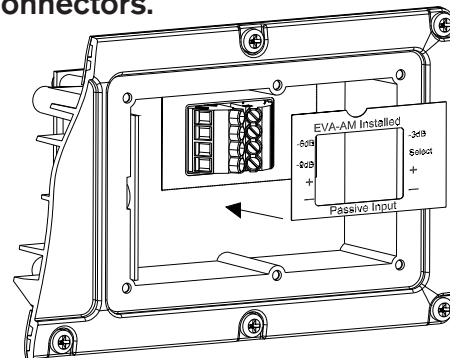
Reconnect crossover cable and reinstall input panel



8. Apply the new label (supplied) over the input connectors.

**Figure 4:**

Apply new label over connectors



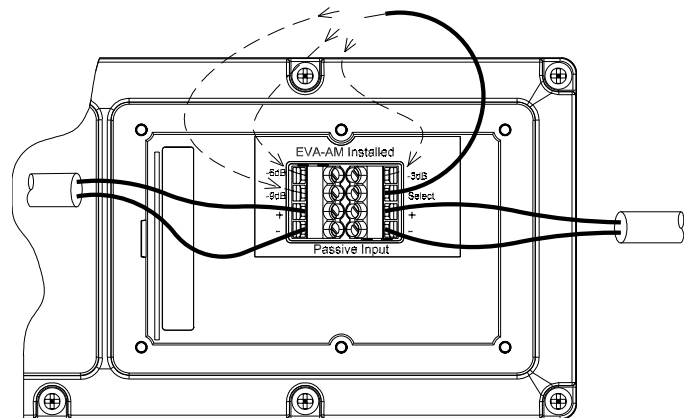
9. Connect one end of the blue wire (supplied) to the terminal marked "Select". Set the attenuation level for the module by connecting the other end of this wire to either the -3 dB, -6 dB or -9 dB terminal, as determined by EVADA.
10. Connect the input lines to the module at the (+) and (-) terminals the same way you would a standard non-attenuated EVA loudspeaker. The EVA-AM attenuates ONLY the loudspeaker in which it is installed.



**Important Note:** Once an EVA-AM is installed, an attenuation level MUST be selected. (See step 9.) If this wire is not connected, the entire loudspeaker in which the module is installed WILL NOT FUNCTION!

**Figure 5:**

Connect input wires, set attenuation level, and tighten unused screws



**Tighten all unused connector screws to prevent rattles!**

**Electro-Voice®**

12000 Portland Avenue South, Burnsville, MN 55337  
Phone: 952/884-4051, Fax: 952/884-0043

www.electrovoice.com

© Bosch Communications Systems 06/2009

Part Number LIT000310 Rev 2

U.S.A. and Canada only. For customer orders, contact Customer Service at:  
800/392-3497 Fax: 800/955-6831

Europe, Africa, and Middle East only. For customer orders, contact Customer Service at:  
+ 49 9421-706 0 Fax: + 49 9421-706 265

Other International locations. For customer orders, Contact Customer Service at:  
+ 1 952 884-4051 Fax: + 1 952 887-9212

For warranty repair or service information, contact the Service Repair department at:  
800/685-2606

For technical assistance, contact Technical Support at: 866/78AUDIO

Specifications subject to change without notice.