



CUEPIX BLINDER WW4™

SKU# CUE242

The new CUEPIX Blinder WW4™ features (4) long life 100W Warm White 3,200K COB LEDs, a 62° beam angle, RDM (Remote Device Management), individual control of each COB module, manual pan focus, variable and selectable dimming curves, strobe effects, flicker free operation for TV and Film, 3pin and 5pin DMX and Locking Power Cable in/out connections, LCD menu display with 4 button control panel, integrated yoke and side mounting brackets, and a multi-voltage universal auto switching power supply (100-250v).

FEATURES

- 4 x 100W Warm White 3,200K COB LEDs
- 100,000 Hour Rated Life LEDs
- 62° Beam Angle - 100° Field Angle
- RDM (Remote Device Management)
- Individual COB Module Control, Manual Pan Focus
- Variable Dimming Curve Modes
- Strobe Effects
- Flicker Free Operation for TV and FILM



Specifications are preliminary and subject to change without notice ©Elation Professional
Elation Professional USA - Corporate Headquarters | 6122 S. Eastern Ave. | Los Angeles, CA. 90040
323-582-3322 | 323-832-9142 fax | www.elationlighting.com | info@elationlighting.com

Elation Professional B.V. | Junostraat 2 | 6468 EW Kerkrade, Netherlands
+31 45 546 85 66 | +31 45 546 85 96 fax | www.elationlighting.eu | info@elationlighting.eu

PRODUCT SPECIFICATIONS

FEATURES

High Power Long Life Warm White COB LEDs
 62° Beam Angle - 100° Field Angle
 Individual Control of Each COB Module
 5 Variable Dimming Curve Modes
 RDM (Remote Device Management)
 Flicker FREE Operation for TV and FILM

SOURCE

(4) 100W Warm White 3,200K COB LEDs
 100,000 Hour Average Life

PHOTOMETRIC DATA

12,300 LUX 1,143 FC @3.3' (1m) (62°Full ON)
 3,130 LUX 291 FC @6.6' (2m) (62°Full ON)
 1,581 LUX 147 FC @9.8' (3m) (62°Full ON)
 714 LUX 66 FC @13.1' (4m) (62°Full ON)
 626 LUX 58 FC @16.4' (5m) (62°Full ON)

EFFECTS

Strobe
 Dimming : 0% - 100% of Each COB Module
 Variable Dimming Curves

CONTROL / CONNECTIONS

6 DMX Channel Modes (1 / 2 / 4 / 5 / 7 / 9)
 4 Button Control Panel and LCD Menu Display
 3pin and 5pin DMX In/Out
 RDM (Remote Device Management)
 Locking Power Cable In/Out

SIZE / WEIGHT

Length: 15.7" (400 mm)
 Width: 6.9" (174 mm)
 Horizontal Height: 17.4" (441 mm)
 Weight: 21.0 lbs. (9.5 kg)

ELECTRICAL / THERMAL

AC 100-240V - 50/60Hz
 427W Max Power Consumption
 Power Linking: 1pcs @110V / 4pcs @220V
 -14°F to 113°F (-10°C to 45°C)

APPROVALS / RATINGS

CE | IP20

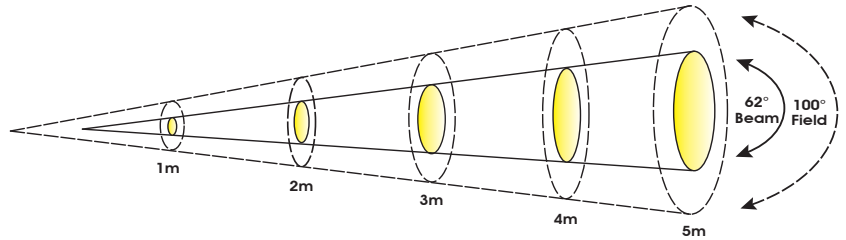
INSTALLATION

Rigging: Integrated Yoke and Side Mounting Brackets
 Working Position: Any (360°)

INCLUDED ACCESSORIES

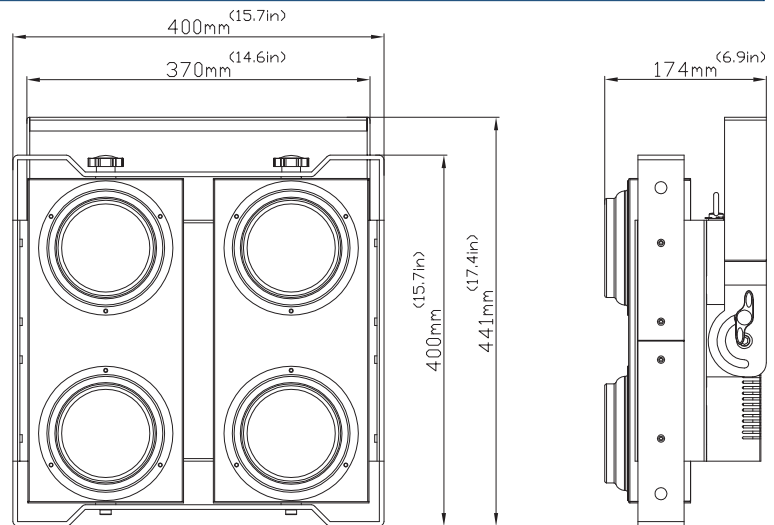
(1) Locking Power Cable

PHOTOMETRIC DATA



Distance	m		ft		m		ft		m		ft		m		ft	
	1	3.3	2	6.6	3	9.8	4	13.1	5	16.4						
62° Beam Diameter	1.2	3.9	2.4	7.9	3.61	11.8	4.81	15.8	6.01	19.7						
100° Field Diameter	2.38	7.8	4.77	15.6	7.15	23.5	9.53	31.3	11.8	38.7						
Photometrics	lux	fc	lux	fc	lux	fc	lux	fc	lux	fc	lux	fc	lux	fc	lux	fc
ALL FULL ON	12,300	1,143	3,130	291	1,581	147	714	66	626	58						

DIMENSIONAL DIAGRAM



OPTIONAL ACCESSORIES

ORDER CODE	ITEM
TRIGGER CLAMP	Heavy Duty Wrap Around Hook Style Clamp
EWDMMXSYSTEM	Wireless DMX System (1 Transmitter, 1 Receiver)
EWDMMXT	Wireless DMX Transmitter
EWDMMXR	Wireless DMX Receiver
PLC3	3' (1m) Locking Power PRO Link Cable
PLC6	6' (1.8m) Locking Power PRO Link Cable
AC3PDMX5PRO	5 ft. (1.5m) 3pin PRO DMX Cable
AC5PDMX5PRO	5 ft. (1.5m) 5pin PRO DMX Cable
	Additional Cable Lengths Available