

# FMX-22

## 2-Channel Portable Audio Mixer

### *OPERATING MANUAL*

***Thank you for purchasing an Azden product.***

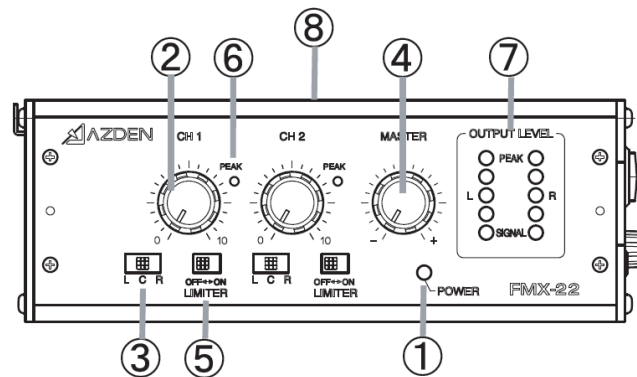
***Please read this manual thoroughly before using this product.***



## ● Safety Instructions

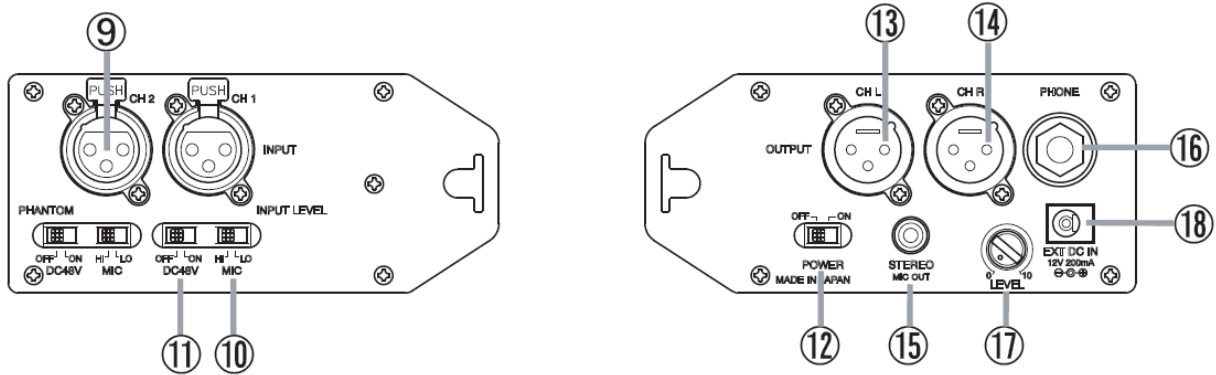
- \* It is very important to read and understand this manual completely before use. Keep this manual for future reference.
- \* When connecting/disconnecting cables and/or changing the phantom power setting or input level settings, turn the input level control knobs to zero or power switch off.
- \* When the phantom DC48V power is not needed, make sure the phantom switch is in the off position.
- \* Before turning the phantom DC48V switch on, make sure your condenser microphone is designed to handle 48V DC or the microphone may be damaged. Check the microphone's manual or with the manufacturer.
- \* Do not use other batteries than "AA" alkaline batteries. Do not mix fresh batteries with used ones.
- \* Remove the batteries if the mixer will not be used for a long period of time to prevent battery fluid leak.

## ● Front Control Panel



- ① **POWER INDICATOR:** When the power switch (⑫) is on, the LED will light in green. When the battery level becomes too low for proper operation, the LED will turn red. When this happens, replace the batteries with fresh "AA" alkaline batteries.
- ② **CHANNEL 1 & 2 INPUT LEVEL CONTROLS:** Each knob controls the input volume level of the microphone connected to the corresponding input (⑨). Zero is the lowest (quietest) setting while 10 is the highest (loudest).
- ③ **CHANNEL 1 & 2 OUTPUT SELECTORS:** Let you select the output of each channel between LEFT, CENTER and RIGHT.
- ④ **MASTER LEVEL CONTROL:** This knob controls the overall volume level of all connected sources (microphone and/or line-level devices).
- ⑤ **CHANNEL 1 & 2 LIMITER SWITCHES:** Each input channel has a switchable limiter. After setting the input volume level, turn this switch on. The limiter circuit will be activated and reduce the possibility of overload distortion from very loud sounds without affecting normal sound volume. If you prefer the overall sound quality of the mixer without the limiter circuit engaged, leave this switch off.
- ⑥ **INPUT PEAK LEVEL INDICATOR:** When the mixer detects signal overload and distortion, this LED will light in red. Lower the input level by turning the corresponding input level control (②) counterclockwise.
- ⑦ **CHANNEL LEFT & RIGHT OUTPUT LEVEL INDICATORS:** These indicators will show the output volume level of the CH L and CH R outputs (⑬&⑭). When the indicators show red, reduce the volume level by turning the input level control knobs (②) or the master level control knob (④).
- ⑧ **BATTERY COMPARTMENT:** Open the lid by lifting it while pushing the tab.

## ● Side Panels



⑨ **CHANNEL 1 & 2 XLR INPUTS:** Connect the 3-pin XLR output of a microphone, wireless receiver or line level audio component to CH 1 and/or CH 2. Push the XLR connector into the input jack until it locks. To remove the XLR connector, press the “PUSH” tab while pulling the connector out.

⑩ **INPUT LEVEL SELECTOR:** The following 2 settings are available for each channel:

MIC HI: maximum -5dBu (2k $\Omega$ )      MIC LO: maximum -21dBu (2k $\Omega$ )

⑪ **PHANTOM DC 48V SWITCH:** Each channel has its own phantom DC 48V power setting. When using a dynamic microphone, make sure that the corresponding phantom DC 48V switch is in the OFF position. When using the condenser microphone that requires 48V DC external power, turn the corresponding phantom DC 48V switch ON. **When you turn the phantom DC 48V switch ON or OFF, make sure to turn the volume level control knobs (②) zero or turn the power switch (⑫) OFF.**

⑫ **POWER SWITCH**

⑬ & ⑭ **CHANNEL LEFT & RIGHT XLR OUTPUTS:** Connect a cable from these outputs to the MIC or LINE input of your camera or audio recorder. The outputs accept a standard 3-pin female XLR connector.

⑮ **STEREO MIC OUTPUT:** This mini-connector (3.5mm) output is designed for video cameras or audio recorders with mini-connector mic-level inputs. This output is stereo (dual-channel) and unbalanced. It is recommended to use a stereo-to-stereo mini cable (not included) to connect this output to the input of your video camera or audio recorder. Because the FMX-32a is equipped with low-impedance XLR inputs and a mini-connector output, users of cameras/audio recorders with mini-connector inputs can now use high-quality microphones with XLR outputs.

⑯ **MONITOR PHONES OUTPUT JACK:** A 1/4” (6.3mm) jack for headphones.

⑰ **LEVEL VOLUME CONTROL:** Controls the volume level of the monitor phones output (⑯). Zero is the lowest and 10 is the highest setting.

⑱ **EXTERNAL DC IN CONNECTOR:** To power the mixer with external 12V DC power. An optional AC adaptor, part number BC-27, is available. For information, visit [www.azdencorp.com](http://www.azdencorp.com)

## ● Specifications

IINPUT LEVEL:	Max Input Level	Max Gain	Input Impedance
MIC LO	-20dBu	+58dB	2k $\Omega$
MIC HI	-3dBu	+42dB	2k $\Omega$
MAX OUTPUT LEVEL:			
CH L & CH R:	+15dBu (5k $\Omega$ )	UNBALANCED OUTPUT: -20dBu (2k $\Omega$ )	MONITOR OUTPUT: +1.5dBu (32 $\Omega$ )
FREQUENCY RESPONSE: 20 - 20,000Hz (+0/-0.5dB)			
NOISE LEVEL:	-119dBu		
T.H.D.:	Less than 0.005% (1kHz, +19dBu)		
PHANTOM POWER:	48V $\pm$ 1.5V		
POWER SOURCE:	4 "AA" Alkaline batteries/DC 12V 200mA		
BATTERY DURATION:	Up to 15 hours in continuous use		
DIMENSIONS:	145mmL x 120mmW x 53.5mmH / 5 11/16"L x 4 3/4"W x 2 1/8"H		
WEIGHT:	670 g / 23.63 oz (without batteries)		

### LIMITED TWO-YEAR WARRANTY

Azden Corporation warrants, to the first purchaser, that the Azden brand product purchased is free from defects in material and workmanship. Azden's sole obligation under this warranty shall be to provide, without charge, repair or replacement (at Azden's sole discretion), within two years from the date of purchase. The cost to ship a failed product to and from Azden or to its dealer shall not be covered by this warranty. A dated receipt acts to establish the date of purchase and is all that is required for warranty service.

This warranty is the sole and exclusive express warranty given with respect to the product and all other warranties, expressed or implied, are hereby excluded. Neither Azden, nor the dealer who sells this product, is responsible for indirect, incidental or consequential damages.

This warranty does not extend to any defect, malfunction or failure caused by misuse, abuse, accident, Act of God, faulty hookup, unauthorized modification, connecting this product to equipment for which this product is not intended or defective associated equipment. **Please read your owner's manual carefully.**



#### AZDEN CORPORATION

200 Valley Road, Suite 101, Mt. Arlington, NJ 07856

Phone: 1-973-810-3070 Email: sales@azdencorp.com

Web Site: www.azdencorp.com

Printed in USA