

# Altea<sup>400</sup>



## ALTEA 408A

---

DAS Audio Group, S.L. - C/ Islas Baleares 24 - 46988  
Fuente del Jarro - Valencia - Spain - Tel. +34961340860  
Updated (DD/MM/YYYY): 14/09/2023



SOUND WITH SOUL

## KEY FEATURES

- Lightweight multi-purpose system with monitor position
- Ultra lightweight Class D amplifier with SMPS
- User definable 24-bit DSP with LCD screen
- Presets: Live, Dance, Vocals, Bass Boost, Vocals & Mode
- Stackable 3-band EQ
- Standby Mode
- Rigging points

## APPLICATIONS

- Live sound reinforcement
- Speech and vocals
- Music playback in entertainment
- A/V, and institutional venues

## DESCRIPTION

The ALTEA-408A is a powered portable P.A. system with a multi-angle polypropylene enclosure that allows for use as a stage monitor.

On board is Class D two channel amplifier of exceptional quality providing a total of 800 W<sub>peak</sub> power which provides extended bandwidth, wide dynamic range and exceptionally low distortion-features hard to find on other systems in this market segment. User configurable voicing, filter and EQ modes, and gain control are achieved by way of a rotary-knob interface and LCD screen on the rear of the cabinet.

The 8GV loudspeaker provides accurate low frequency reproduction with a deep, powerful bass. High frequencies are handled by the M-32 FEM optimized compression driver with 1" exit offering excellent performance.

# ALTEA 408A

---

DAS Audio Group, S.L. - C/ Islas Baleares 24 - 46988  
Fuente del Jarro - Valencia - Spain - Tel. +34961340860  
Updated (DD/MM/YYYY): 14/09/2023



SOUND WITH SOUL

## SPECIFICATIONS

### Performance

Frequency Range (-10 dB)	70 Hz - 20 kHz
Horizontal Coverage (-6 dB)	90°
Vertical Coverage	90°
Maximum Peak SPL at 1 m	123 dB

### Electronics and Connectors

Nominal Amplifier Power (continuous)	400 W
Nominal Amplifier Power (peak)	800 W
Input Type	Balanced
Input Impedance	20 kohms
Input Sensitivity	1.95 V (+8 dBu)
Audio Signal Input Connector	2 x Female XLR
AUX Input	1 x 3.5 mm Mini Jack
Audio Signal Loop Thru Connector	1 x Male XLR
Control	DAScontrol™
Current Draw 230 V / 115 V	0.8 A / 1.6 A

### Enclosure

Enclosure Construction	Polypropylene
Enclosure Geometry	Trapezoidal
Rigging	M8 Rigging Points
Finish	Textured
Color	Black

# ALTEA 408A

DAS Audio Group, S.L. - C/ Islas Baleares 24 - 46988  
Fuente del Jarro - Valencia - Spain - Tel. +34961340860  
Updated (DD/MM/YYYY): 14/09/2023



SOUND WITH SOUL

Dimensions ( H x W x D )	480 x 280 x 260 mm 18,9 x 11,0 x 10,2 in
--------------------------	---

Net Weight	9,5 kg ( 20,9 lb )
------------	--------------------

### Components

LF Driver	8GV
-----------	-----

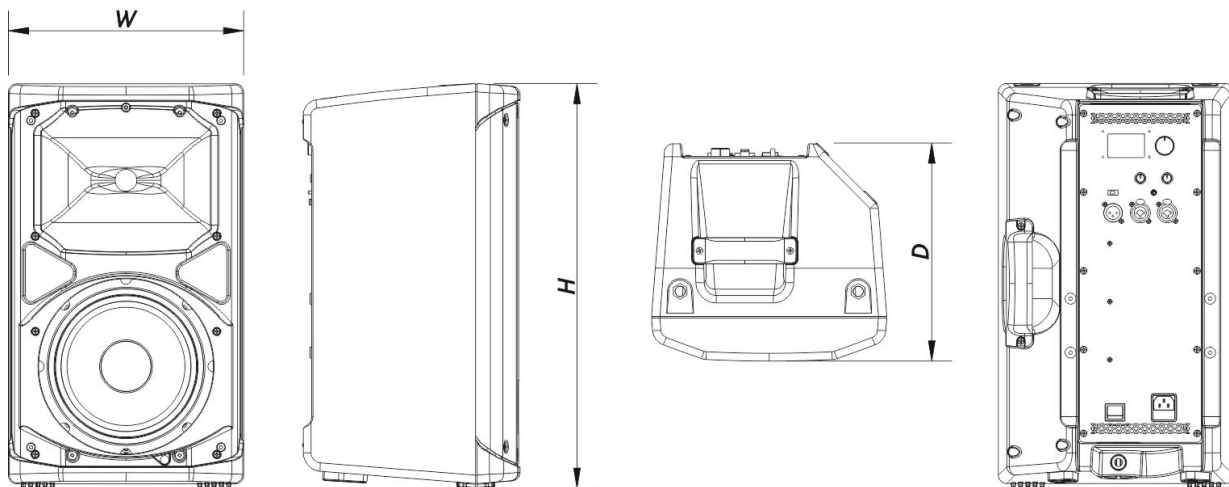
HF Driver	M-32
-----------	------

### Shipping

Carton Dimensions ( H x W x D )	550 x 350 x 340 mm 21,6 x 13,8 x 13,4 in
---------------------------------	---

Shipping Weight	13,0 kg ( 28,6 lb )
-----------------	---------------------

### DIMENSIONS



### ORDERING

Model	Description	P/N
-------	-------------	-----

# ALTEA 408A

DAS Audio Group, S.L. - C/ Islas Baleares 24 - 46988  
Fuente del Jarro - Valencia - Spain - Tel. +34961340860  
Updated (DD/MM/YYYY): 14/09/2023



## INFORMATION

### System

---

ALTEA-408A	10404991
------------	----------

---

### Replacement Parts

---

8GV	Cone Transducer	20208984
-----	-----------------	----------

---

M-32	Compression Driver	20208970
------	--------------------	----------

---

### Accessories

---

ANL-1	Rigging Accessories	10101010
-------	---------------------	----------

---

ANL-1	Installation & Stacking Acc.	10101010
-------	------------------------------	----------

---

AX-112-5	Installation & Stacking Acc.	10102390
----------	------------------------------	----------

---

TRD-6	Installation & Stacking Acc.	10104470
-------	------------------------------	----------

---

TRD-7	Installation & Stacking Acc.	10104471
-------	------------------------------	----------

---

TRPD-S2-PAK	Installation & Stacking Acc.	10104011
-------------	------------------------------	----------

---

# ALTEA 408A

---

DAS Audio Group, S.L. - C/ Islas Baleares 24 - 46988  
Fuente del Jarro - Valencia - Spain - Tel. +34961340860  
Updated (DD/MM/YYYY): 14/09/2023



SOUND WITH SOUL