



## Description

The K-array Thunder-KMT218 is much more than a standard 2 x 18" powered subwoofer.




The amplifier mounted on board is class D, delivering 2x 2400 W at 4Ω. One of the two amplifying channels is dedicated to an output speakOn to connect to many kinds of speaker configurations, including single mid-high modules (KY102, KP52, KP102), multiple line arrays, or the passive version of an additional bass module (KMT218P, KMT18P or KMT21P).

The rear panel provides input for a balanced line signal, a balanced microphone signal with phantom power, and digital signals in AES/EBU protocol, also on an XLR for ease of cabling. An integrated touch screen provides intuitive managing and editing of powerful DSP controlling: input and output levels, In/Out routing, speakOn output delay, subwoofer delay, overall system delay (up to 330 ms). All DSP functions, including EQ can

be controlled with remote managing software via USB or RS485, again conveniently on a standard XLR. To optimize performance, the on board DSP includes presets to drive K-array speakers.

The chassis features large ports designed to be fully symmetrical to the speaker, which means the back loading on the drivers is consistent and even with no port air turbulence. This also gives incredible structural strength to the cabinet despite its light weight. Pocket handles and an M20 thread mount position for attaching mid-high speakers makes the KMT218 convenient to use and ideal for medium throw applications in theaters, concert halls, and Audio/Video installations.

All KMT218 components are designed by the K-array R&D department and custom-made under the K-array quality control system.

Colors		Features		Frequent Applications	
Black		Integrated DSP	Four-Corner Port Configuration	Large Congregations	Theme Parks
White		Dante Compatible	Color Customizable	Nightclub & Lounges	Event Productions
Custom		Self-Powered Capabilities	Unique Performance-to-Size Ratio	Concerts & Live Events	Theaters

Accessories					
K-DANTE	K-POLE1	K-AMPCOVER	K-WHEEL	K-WHEELB	K-USB

## Technical Specifications

General	
Type	Subwoofer
Drivers	2 x 18" neodymium magnet woofer
Frequency Response	35 Hz – 150 Hz (-6 dB) <sup>1</sup>
Maximum SPL	139 dB (peak) <sup>2</sup>
Nominal Impedance	4 Ω
Crossover	DSP-controlled, Low Pass @ 150 Hz, preset dependant
Coverage	Omni

Amplifier and DSP	
Type	2 channel switch-mode, class D
Rated Power	2x 2400 W @ 4 Ω
Power consumption	600 W, 1/8 Rated Power (Pink Noise)
DSP features	Input gain, delay up to 330 ms, Parametric IIR filters (Peaking, Shelving, Hi/Lo pass, Hi/Lo Butterworth), On-board preset, Complete remote control via dedicated software.

Connectivity	
Input	2x XLR (bal) line input, 1x XLR AES3 input
Output	1x speakOn loudspeaker output + 2x XLR (bal) parallel line output, 1x XLR AES3 output
Power	1x powerCON + 1x powerCON link
Remote control	1x XLR RS485 serial input, 1x XLR RS485 serial output, 1x USB-B inlet

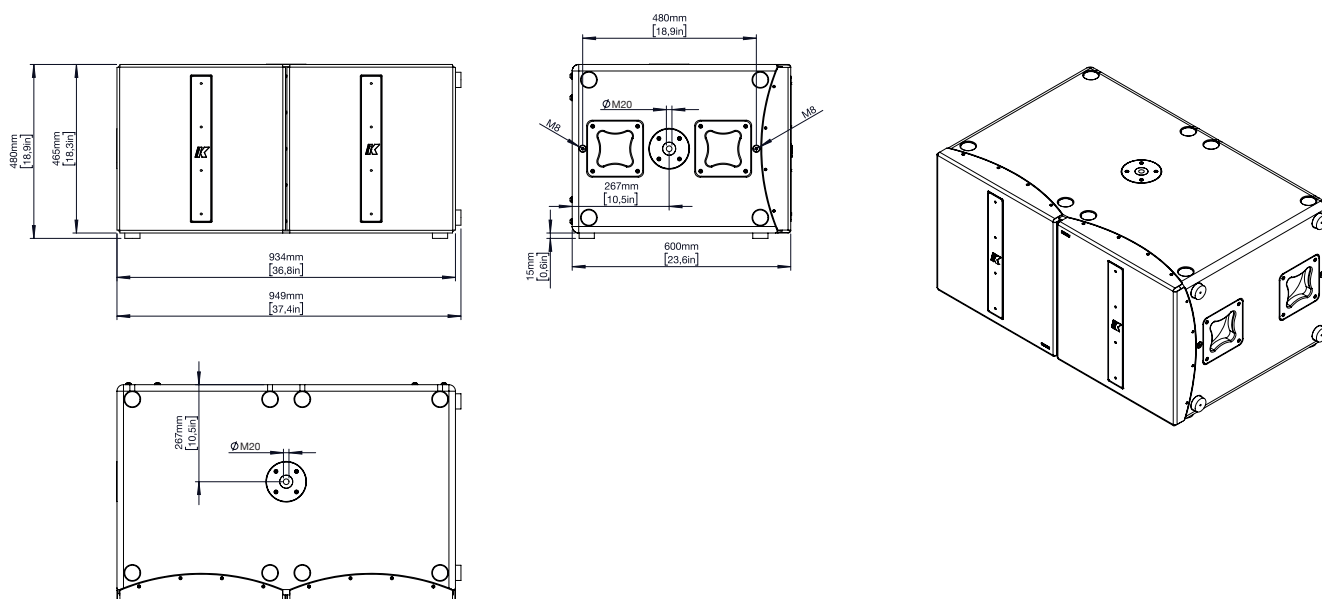
Handling & Finishes	
IP Rating	IP40 <sup>3</sup>
Dimensions (WxHxD)	934 x 465 x 600 mm <sup>4</sup> (36.8 x 18.3 x 23.7 in) <sup>4</sup>
Weight	45 kg (99.2 lb)
Colors & Finishes	black, white, custom RAL

<sup>1</sup> With dedicated preset.

<sup>2</sup> Maximum SPL is calculated using crest factor 4 (12dB) measured at @ 1 m

<sup>3</sup> IP43 with K-AMPCOVER

<sup>4</sup> Rubber feet not included



Notes:

New materials and designs are introduced into existing products without previous notice. Present systems may differ in some respects from those presented in this catalog.

