

PK-7 Single-Channel Intercom Power Supply

Analog Partyline Intercom Systems

Linking
People
Together



PK-7 Front Panel

Key Features and Benefits

- Single-Channel 0.4 Amp Portable Power Supply
- Supports up to 30 Que-Com headset stations or 12 RS-701 beltpacks
- Line and load regulated
- Short-circuit protected

Clear-Com Encore[®] is an intuitive, robust, plug-and-play partyline intercom power supply with high-quality “Clear-Com Sound”.

Description

The PK-7 power supply is housed in a rugged metal chassis and has the capacity to power up to 12 RS-701 headsets. It supplies 24 volts DC at 0.4 amp to the system. The fully regulated, current-limited unit also provides proper termination for the intercom system. The PK-7 features both short-circuit and reverse polarity protection.

Three separate 3-pin XLR connectors are provided for intercom audio and power output to the headset stations. Use Y-type line splitters on these connectors to attach additional headsets to the system.

Technical Specifications

dBu is an absolute measurement. 0dBu is referenced to 0.775 volts RMS

Mains Input

Input Voltage: 100-240V AC

Input Frequency Range: 50-60Hz

Power Output

Output Voltage: 22-30V DC

Output Current: <=400mA

Output Connectors: (3) XLR-3F

Front Panel Connectors and Indicators

Input Connector: (1) 2.1mm Co-axial connector

Indicators: (2) LEDs: red (overload), green (normal)

Environmental

32° - 122°F (0° - 50°C)

Dimensions

3.8 x 2 x 4.7in (WxHxD)

(97 x 50.8 x 119mm)

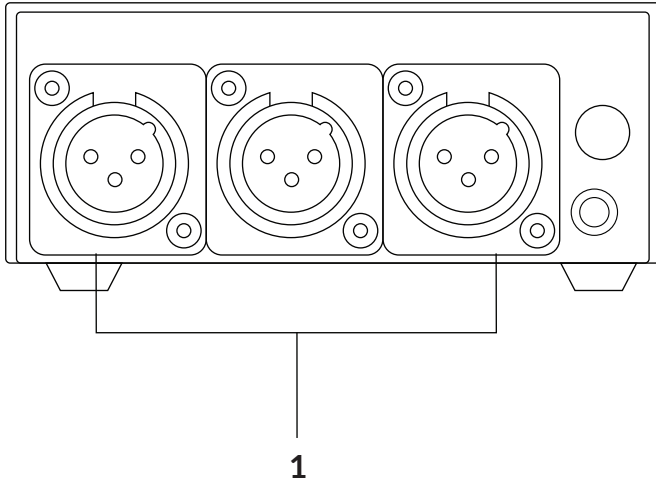
Weight

1.0lbs (0.457kg)

PK-7 Single-Channel Intercom Power Supply

Analog Partyline Intercom Systems

PK-7 Front Panel



Legend

Front

1. XLR connector

Order Code

PK-7



[www.clearcom.com/
encore-knowledge-center/](http://www.clearcom.com/encore-knowledge-center/)