

# ***Ampeg***<sup>®</sup>

## Speaker Cabinets

### Quick Start Guide



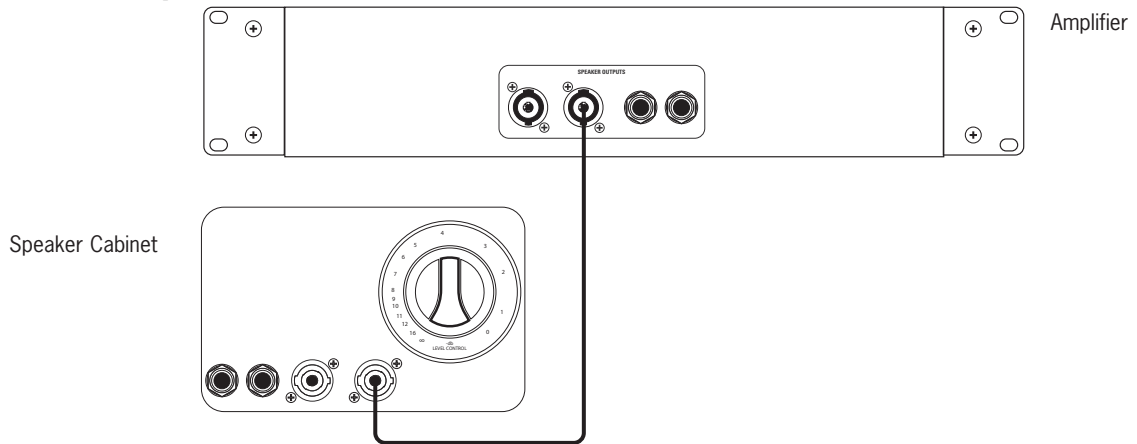
HSVT-810AV, HSVT-810E, SVT-810AV, SVT-810E, SVT-610HLF, HSVT-410HLF, SVT-410HLF, SVT-410HE, SVT-210AV, SVT-212AV, SVT-112AV, SVT-15E, PN-115HLF, PN-210HLF, PN-410HLF, PF-115HE, PF-210HE, PF-115LF, PF-410HLF, and PF-112HLF

## What's in the Box

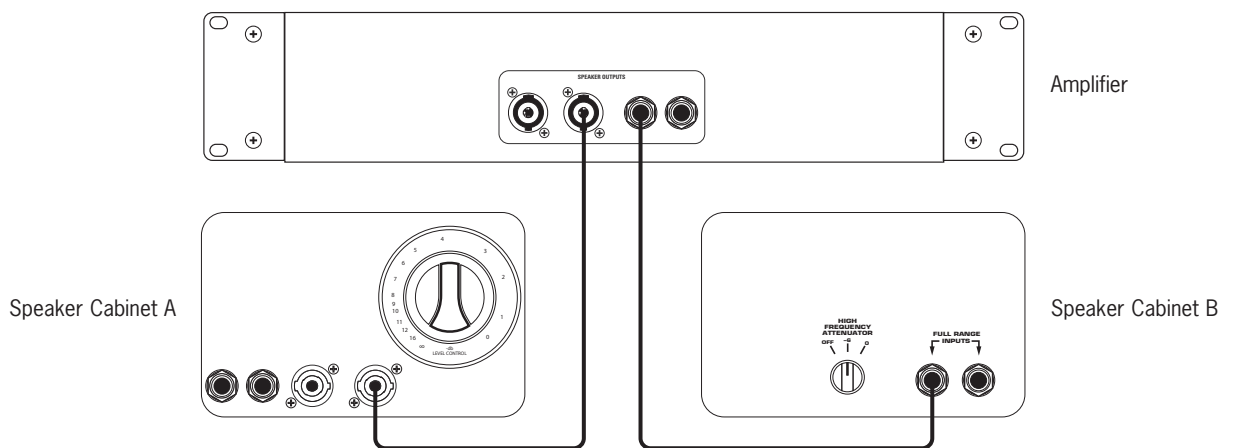
HSVT-810AV, HSVT-810E, SVT®-810AV, SVT-810E, SVT-610HLF, HSVT-410HLF, SVT-410HLF, SVT-410HE, SVT-210AV, SVT-212AV, SVT-112AV, SVT-15E, PN-115HLF, PN-210HLF, PN-410HLF, PF-115HE, PF-210HE, PF-115LF, PF-410HLF, or PF-112HLF Speaker Cabinet, Quick Start Guide.

## Hookup Diagrams

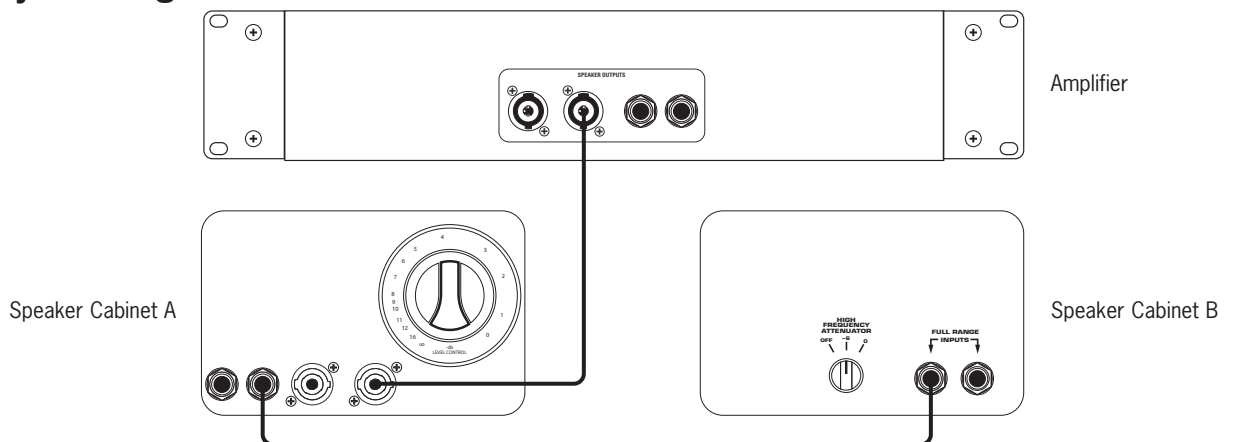
### Standard Setup



### Parallel Setup

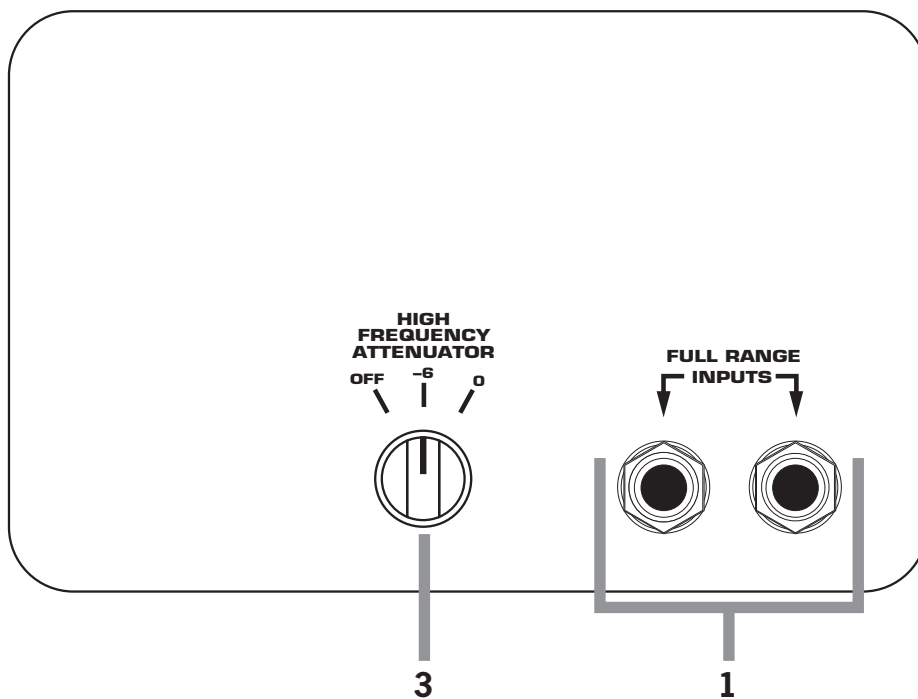
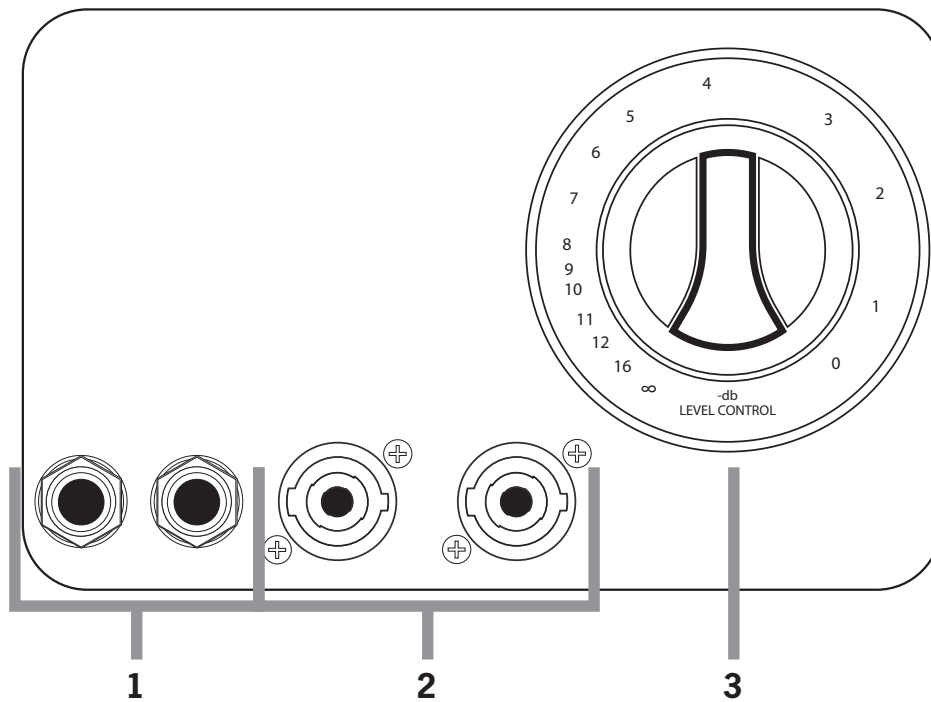


### Daisy Chaining



Note: Use same impedance cabinets in parallel setups and when daisy-chaining

## Rear Panel Connector Plate Styles



1. **1/4" Input / Output Jacks:** Connect the speaker-level output of an amplifier to the cabinet's Input jack. Each of the jacks may be used as an input or a through connection.
2. **Speakon® Input / Output Jacks:** Connect the speaker-level output of an amplifier to the cabinet's Input jack. Each of the jacks may be used as an input or a through connection.
3. **High Frequency Horn Level Control / Attenuator:** Adjusts the level to the high frequency horn.

## Technical Specifications

	Frequency Response (+/-3 dB)	Usable Low Frequency (-10 dB)	Impedance	Power Rating (rms)	Sensitivity (dB SPL 1W/1m)
<b>HSVT-810AV</b>	58 Hz – 5 kHz	40 Hz	Mono: 4 $\Omega$ (8x10) Stereo: 8 $\Omega$ (4x10)	Mono: 800 W (8x10) Stereo: 400 W 2x (4x10)	100
<b>HSVT-810E</b>	58 Hz – 5 kHz	40 Hz	Mono: 4 $\Omega$ (8x10) Stereo: 8 $\Omega$ (4x10)	Mono: 800 W (8x10) Stereo: 400 W 2x (4x10)	100
<b>SVT-810AV</b>	58 Hz – 5 kHz	40 Hz	Mono: 4 $\Omega$ (8x10) Stereo: 8 $\Omega$ (4x10)	Mono: 800 W (8x10) Stereo: 400 W 2x (4x10)	100
<b>SVT-810E</b>	58 Hz – 5 kHz	40 Hz	Mono: 4 $\Omega$ (8x10) Stereo: 8 $\Omega$ (4x10)	Mono: 800 W (8x10) Stereo: 400 W 2x (4x10)	100
<b>SVT-610HLF</b>	53 Hz – 18 kHz	42 Hz	4 $\Omega$	600 W	98
<b>HSVT-410HLF</b>	48 Hz – 18 kHz	28 Hz	4 $\Omega$	500 W	98
<b>SVT-410HLF</b>	48 Hz – 18 kHz	28 Hz	4 $\Omega$	500 W	98
<b>SVT-410HE</b>	60 Hz – 18 kHz	43 Hz	8 $\Omega$	500 W	98
<b>SVT-210AV</b>	58 Hz – 5 kHz	40 Hz	8 $\Omega$	200 W	97.8
<b>SVT-212AV</b>	71 Hz – 18 kHz	40 Hz	4 $\Omega$	600 W	99
<b>SVT-112AV</b>	70 Hz – 18 kHz	35 Hz	8 $\Omega$	300 W	96
<b>SVT-15E</b>	50 Hz – 3 kHz	33 Hz	8 $\Omega$	200 W	98
<b>PN-115HLF</b>	48 Hz – 10 kHz	28 Hz	8 $\Omega$	575 W	98
<b>PN-210HLF</b>	70 Hz – 10 kHz	40 Hz	8 $\Omega$	550 W	97
<b>PN-410HLF</b>	70 Hz – 10 kHz	38 Hz	8 $\Omega$	850 W	100
<b>PF-115HE</b>	50 Hz – 17 kHz	35 Hz	8 $\Omega$	450 W	99.5
<b>PF-210HE</b>	53 Hz – 17 kHz	38 Hz	8 $\Omega$	450 W	99.6
<b>PF-115LF</b>	57 Hz – 3.7 kHz	32 Hz	8 $\Omega$	400 W	99.5
<b>PF-410HLF</b>	55 Hz – 17 kHz	30 Hz	8 $\Omega$	800 W	101
<b>PF-112HLF</b>	68 Hz – 14 kHz	49 Hz	8 $\Omega$	200 W	96

All specifications subject to change

Maximum SPL (dB)	LF drivers	HF horn	Inputs/Outputs	Size (H x W x D)	Weight
130	8x10"		1 x 1/4" (Mono) / 1 x Speakon® (Mono) 2 x 1/4" (Stereo)	48 x 26 x 16 in 1219 x 660 x 406 mm	137 lb 62.1 kg
130	8x10"		1 x 1/4" (Mono) / 1 x Speakon® (Mono) 2 x 1/4" (Stereo)	48 x 26 x 16 in 1219 x 660 x 406 mm	137 lb 62.1 kg
130	8x10"		1 x 1/4" (Mono) / 1 x Speakon (Mono) 2 x 1/4" (Stereo)	48 x 26 x 16 in 1219 x 660 x 406 mm	140 lb 63.5 kg
130	8x10"		1 x 1/4" (Mono) / 1 x Speakon (Mono) 2 x 1/4" (Stereo)	48 x 26 x 16 in 1219 x 660 x 406 mm	140 lb 63.5 kg
125	6x10"	✓	2 x 1/4" 2 x Speakon	40 x 24 x 16 in 1016 x 610 x 406 mm	115 lb 52.2 kg
125	4x10"	✓	2 x 1/4" 2 x Speakon	30 x 24 x 19 in 762 x 610 x 483 mm	73 lb 33.1 kg
125	4x10"	✓	2 x 1/4" 2 x Speakon	30 x 24 x 19 in 762 x 610 x 483 mm	74 lb 33.6 kg
122	4x10"	✓	2 x 1/4" 2 x Speakon	25 x 24 x 16 in 635 x 610 x 406 mm	71 lb 32.2 kg
121	2x10"		2 x 1/4"	25 x 13 x 11 in 635 x 330 x 280 mm	26 lb 11.8 kg
127	2x12"	✓	2 x 1/4"	25 x 24 x 16 in 635 x 610 x 406 mm	66 lb 29.9 kg
121	1x12"	✓	2 x 1/4"	17 x 24 x 16 in 432 x 610 x 406 mm	45 lb 20.4 kg
123	1x15"		2 x 1/4" 2 x Speakon	24 x 22 x 16 in 610 x 559 x 406 mm	72 lb 32.7 kg
125	1x15"	✓	2 x 1/4" 2 x Speakon	23.5 x 22.8 x 17.5 in 597 x 578 x 445 mm	59 lb 26.8 kg
124	2x10"	✓	2 x 1/4" 2 x Speakon	18 x 22.8 x 17.3 in 456 x 578 x 439 mm	44 lb 20 kg
127	4x10"	✓	2 x 1/4" 2 x Speakon	26.5 x 22.8 x 17.5 in 673 x 578 x 445 mm	64 lb 29 kg
125.5	1x15"	✓	2 x 1/4"	23 x 21 x 14.3 in 584 x 533 x 363 mm	44.8 lb 20.3 kg
125.6	2x10"	✓	2 x 1/4"	23 x 21 x 14.3 in 584 x 533 x 363 mm	47.6 lb 21.6 kg
125.5	1x15"		2 x 1/4"	23.5 x 22.75 x 17.5 in 598 x 578 x 445 mm	55.8 lb 25.4 kg
130	4x10"	✓	2 x 1/4"	27.3 x 22.75 x 17.5 in 693 x 578 x 445 mm	73.4 lb 33.3 kg
122	1x12"	✓	2 x 1/4"	19.8 x 17.1 x 13.1 in 503 x 434 x 333 mm	30.8 lb 14.0 kg



## **WARRANTY AND SUPPORT**

Visit **WWW.AMPEG.COM** to...

- (1) ...identify **WARRANTY** coverage provided in your local market. Please keep your sales receipt in a safe place.
- (2) ...retrieve a full-version, printable **OWNER'S MANUAL** (English only) for your product.
- (3) ...**REGISTER** your product.
- (4) ...**CONTACT** Technical Support, or call 818-575-3600.

### **Supplier's Declaration of Conformity 47 CFR § 2.1077 Compliance Information**

**Unique Identifiers:** Ampeg HSVT-810AV, HSVT-810E, SVT®-810AV, SVT-810E, SVT-610HLF, HSVT-410HLF, SVT-410HLF, SVT-410HE, SVT-210AV, SVT-212AV, SVT-112AV, SVT-15E, PN-115HLF, PN-210HLF, PN-410HLF, PF-115HE, PF-210HE, PF-115LF, PF-410HLF, and PF-112HLF Speaker Cabinets

#### **Responsible Party - U.S. Contact Information:**

Yamaha Guitar Group, Inc.  
26580 Agoura Road  
Calabasas, CA 91302-1921  
(818) 575-3600  
<https://ampeg.com/>

#### **FCC Compliance Statement:**

This device complies with Part 15 of the FCC Rules. Operation is subject to the following two conditions: (1) This device may not cause harmful interference, and (2) this device must accept any interference received, including interference that may cause undesired operation.

[www.ampeg.com](http://www.ampeg.com)  
Yamaha Guitar Group, Inc.  
26580 Agoura Road, Calabasas, CA 91302-1921 USA  
Part No. 40-00-0527 Rev. C

