



PS124 PS124L

Power Supply

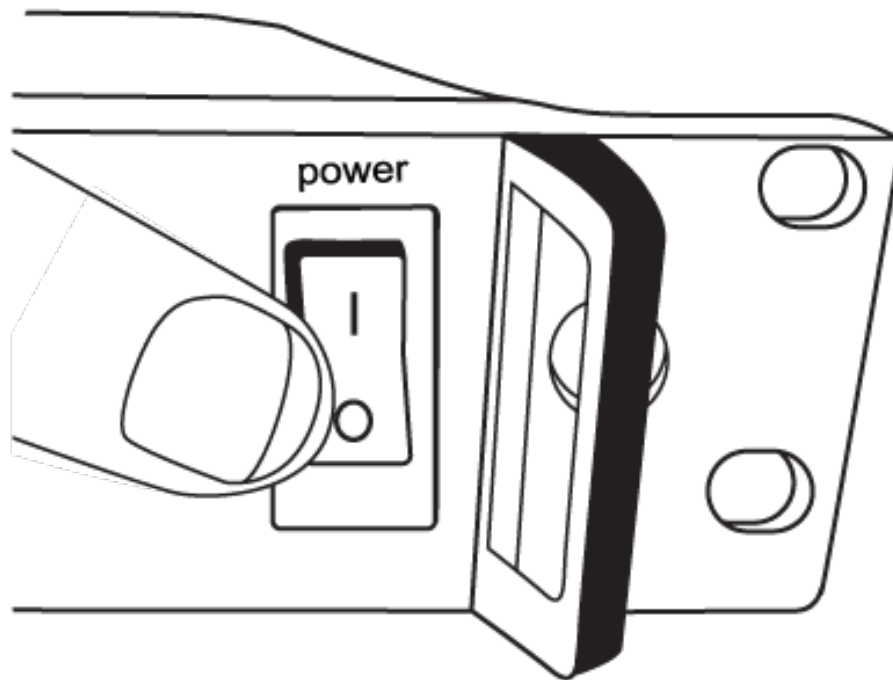
Online user guide for energy-efficient external switching mode AC/DC power supply, for use with Shure products world-wide.
Version: 3.1 (2020-G)

Table of Contents

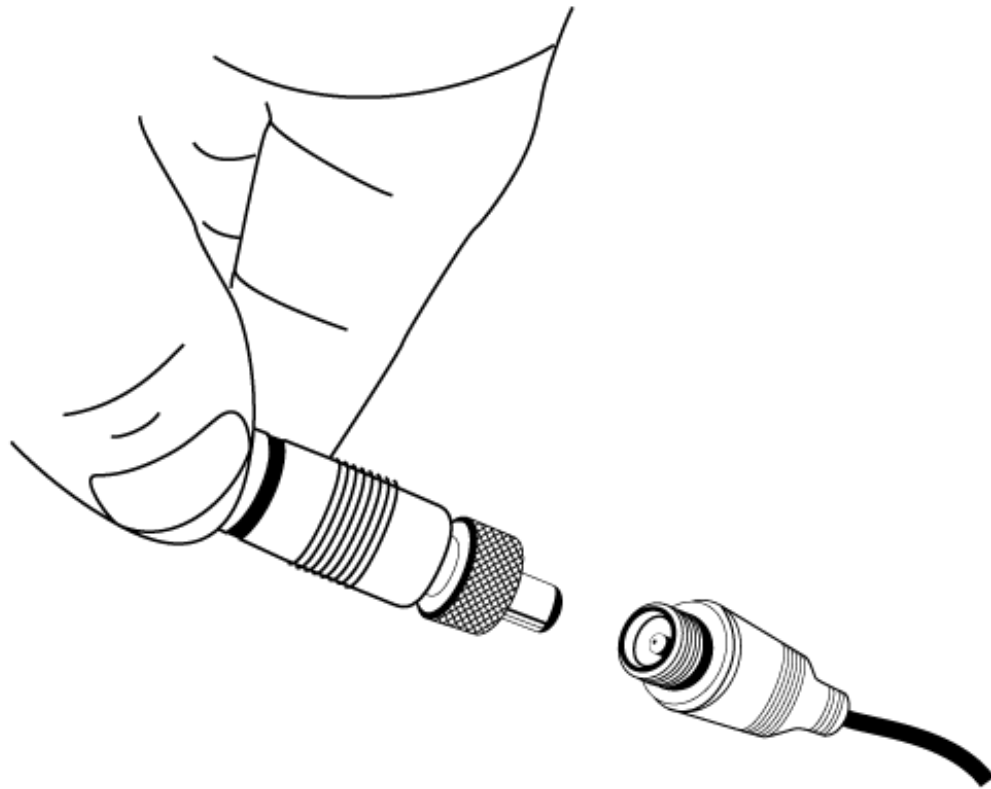
		PS124	6
PS124 PS124L Power Supply	3	PS124L	7
Installation	3	Certifications	8

PS124 PS124L
Power Supply

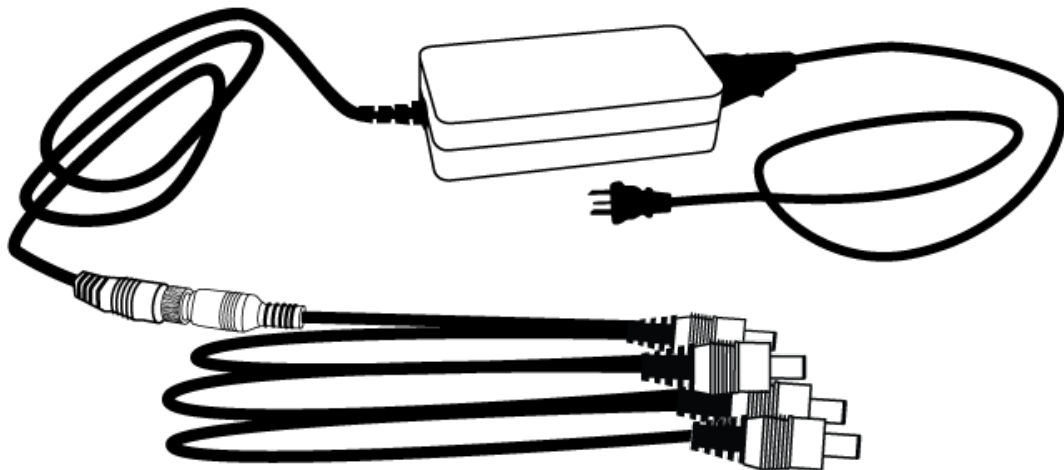
Installation



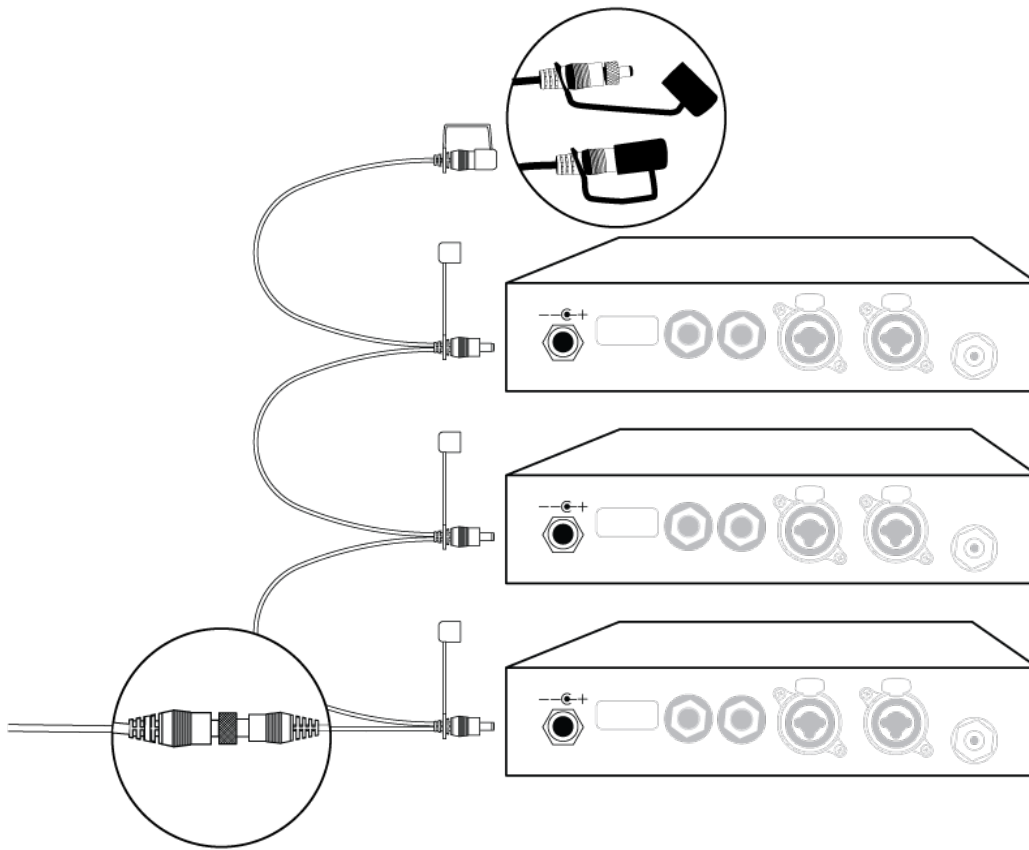
1.



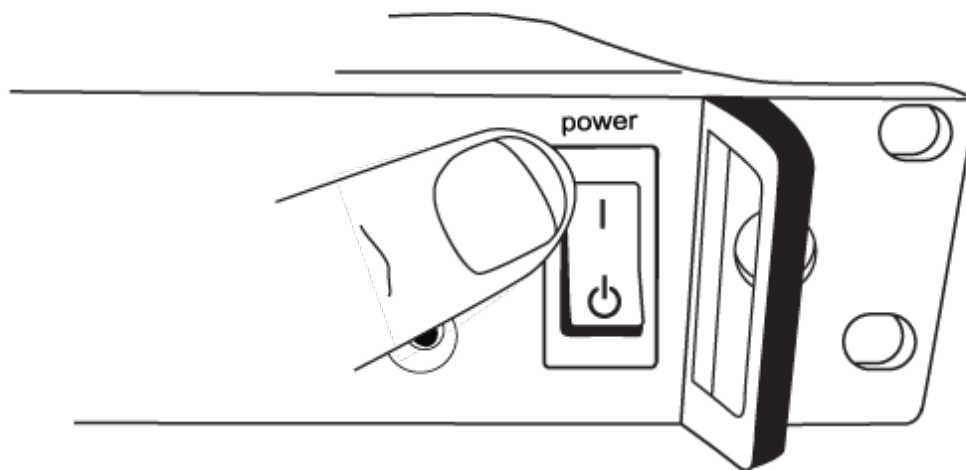
2.



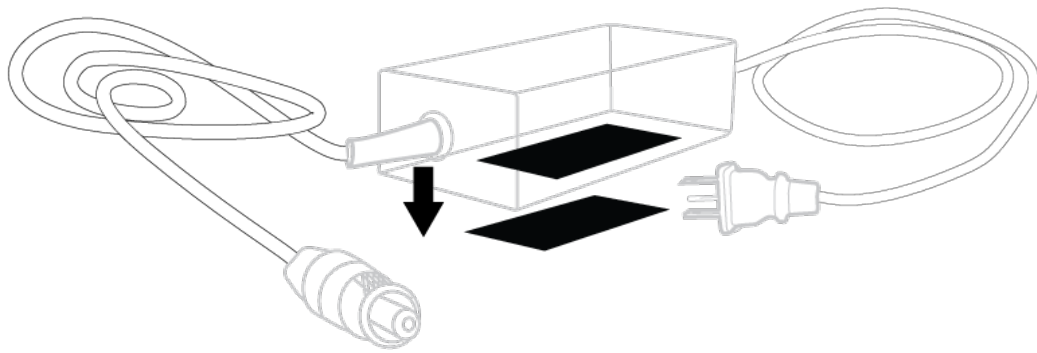
3.



4.

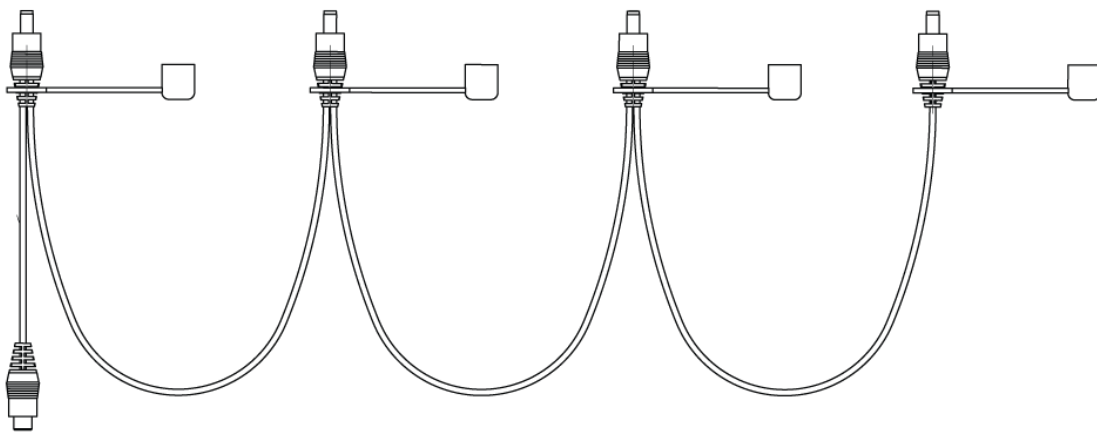


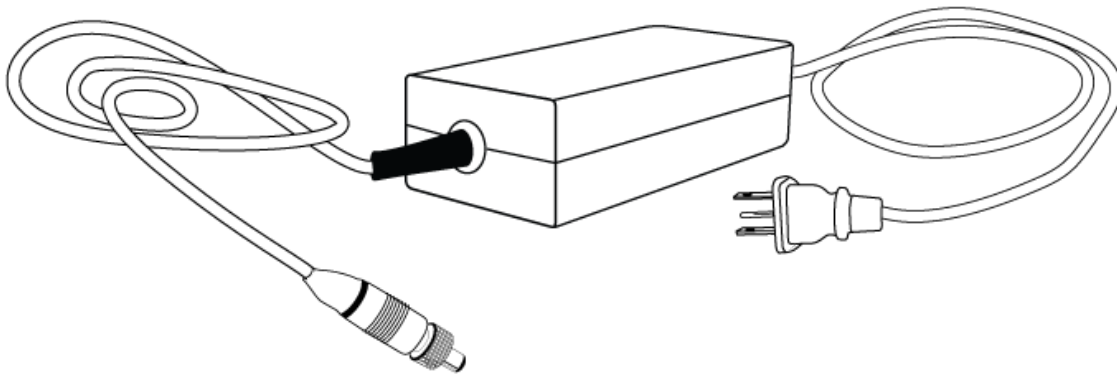
5.



PS124

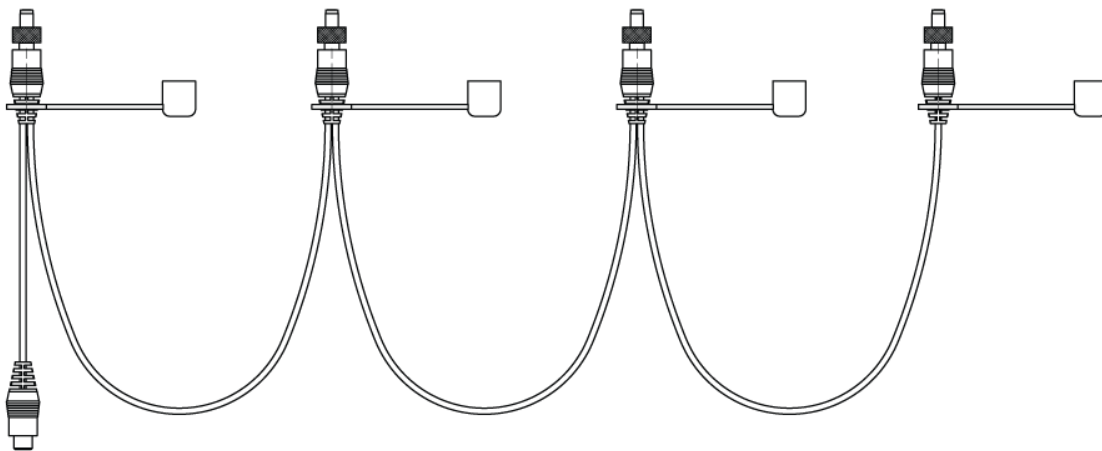
- PG
- PGX
- PGX-D
- SLX
- PSM200
- PSM300
- QLX-D

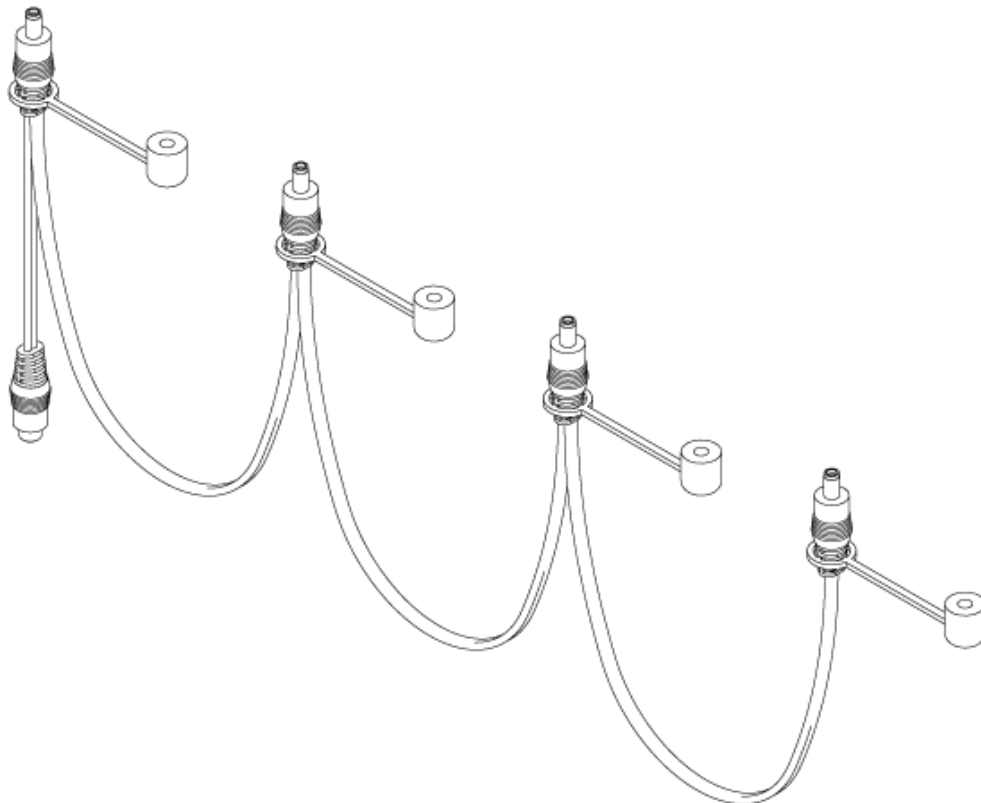
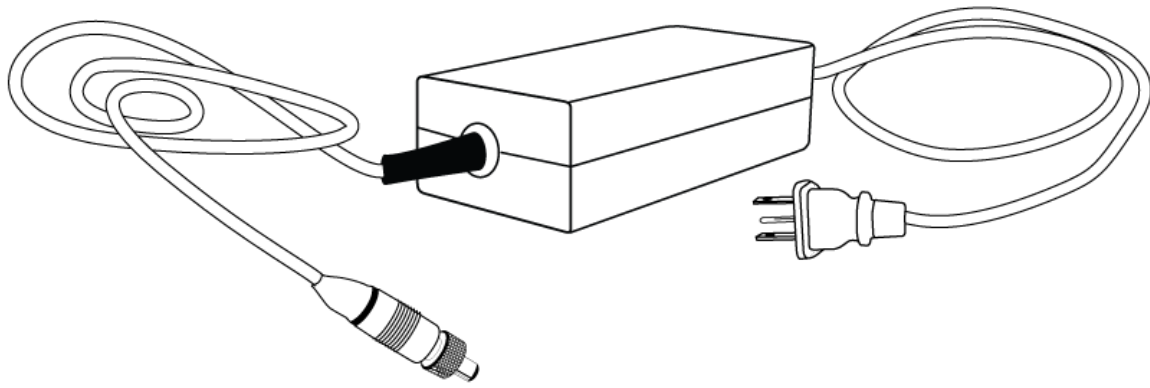




PS124L

- GLX-D
- GLX-D Advanced
- SLX-D
- ULX
- ULX-D
- PSM900





Certifications

The CE Declaration of Conformity can be obtained from: www.shure.com/europe/compliance

Authorized European representative:

Shure Europe GmbH

Headquarters Europe, Middle East & Africa

Department: EMEA Approval

Jakob-Dieffenbacher-Str. 12

75031 Eppingen, Germany

Phone: +49-7262-92 49 0

Fax: +49-7262-92 49 11 4

Email: info@shure.de