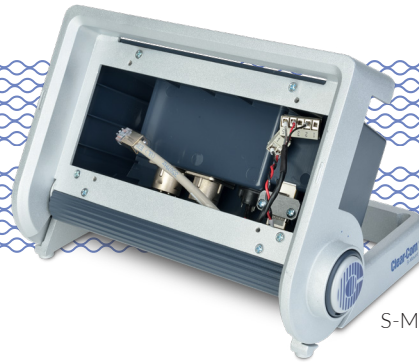


S-MOUNT Enclosure

Digital Partyline Solutions

Linking
People
Together



S-MOUNT

Key Features and Benefits

- Flexible mount for HKB-2X
- Desktop with multiple angles
- Portable and semi-permanent installations
- Various connectivity options

HelixNet® is a networked partyline intercom with up to 24 channels and Program Audio over XLR, LAN or WAN.

Description

The HelixNet S-MOUNT is a desktop or surface mounting kit for the HKB-2X with adjustable angles for a wide variety of deployment.

Universal Mount

Intended for portable and semi-permanent installations, the S-MOUNT features raised sides to protect the knobs of the HKB-2X speaker station from damage. Mounted speaker stations can be carried face-to-face if needed due to keyed lugs for easy stacking. Anti-slip feet help prevent movement when using the S-MOUNT on a desktop. For temporary setups, the screw holes provided on the S-MOUNT allow simple and quick surface mounting.

The S-MOUNT provides the HKB-2X's network connection to the Arcadia® Central Station or HelixNet HMS-4X*** main station using a HLI-ET2 Ethernet module. Power can be supplied to the HKB-2X in a S-MOUNT locally with a supplied power supply or Power over Ethernet (PoE) from 3rd party devices.

Alternatively, HKB-2X in a S-MOUNT can connect to HelixNet HMS-4X*** main stations using XLR-3M/F loop-thru Powerline connections with power or locally powered.**

*HKB-2X speaker station sold separately

**XLR Powerline is not available for Arcadia. Contact Clear-Com for further information

***HMS-4X is a legacy product as of 2022

Technical Specifications

Connectors

XLR Powerline: 3-pin XLR-M/F

DC Power: 3-pin KPJX-PM-3-S

Ethernet/PoE: RJ45

Power

AC Adapter Wall (included):

Input Voltage Range: 100 - 240V AC

Input Frequency Range: 50 - 60Hz

Input Power Connector: Universal

Output Voltage: 48V DC

Output Power (Max): 15W

Output Power Connector: KPPX-3-P

Environmental

32° - +104°F (0° - +40°C)

90% relative humidity

Dimensions

Minimum (Closed):

3.9 x 10.4 x 6.7 in. (HxWxD)

(99 x 265 x 170 mm)

Maximum (Open):

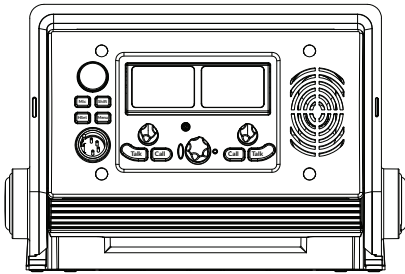
6.9 x 10.4 x 6.7 in. (HxWxD)

(175 x 265 x 170 mm)

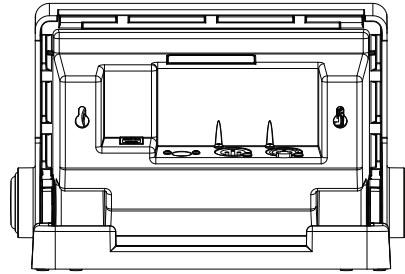
Weight

2.8lbs (1.2kg)

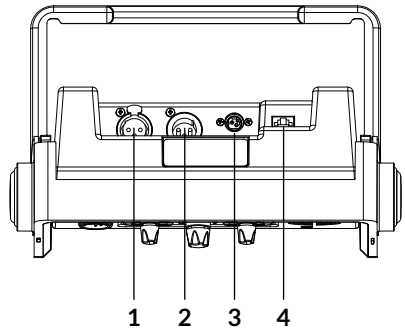
Front



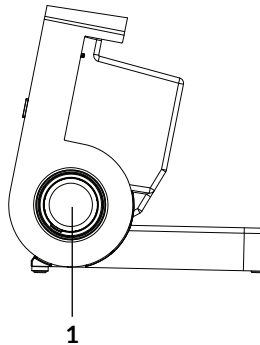
Back



Top



Side



Legend

Top

1. 3-pin XLR-F connector
2. 3-pin XLR-M connector
3. DC power connector
4. Ethernet connector

Side

1. Angle adjust button (both sides)

Order Code

S-MOUNT (includes):

(4) 6/32 x 1/2" mounting screws (280038Z)

(4) Screw cover (416G054)

(4) Rubber feet (111G032)

(1) Wall adapter PSU 15W 48V DC (453G025)

Optional Accessories (sold separately):

Inline PSU 15W 48V DC (453G026)

*HKB-2X speaker station sold separately



[www.clearcom.com/
helixnet-knowledge-center/](http://www.clearcom.com/helixnet-knowledge-center/)