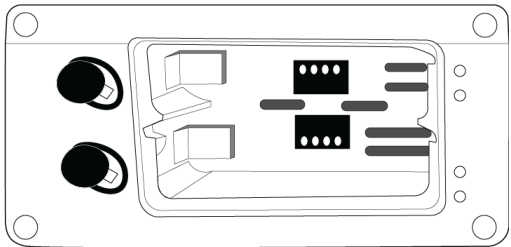


SBM910 SBM910M SBM920 -- Axient Charging Module

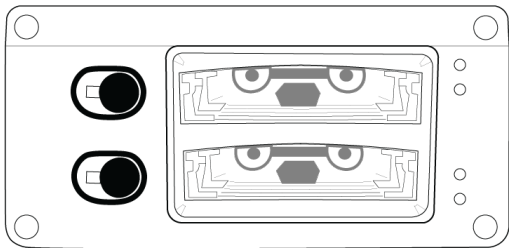
SBM910, SBM910M, SBM920, SBC-AX

These charging modules are for use with the Shure SBRC battery charger.

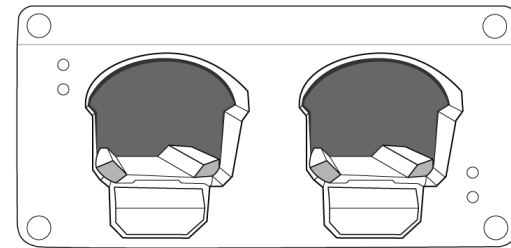
SBM910



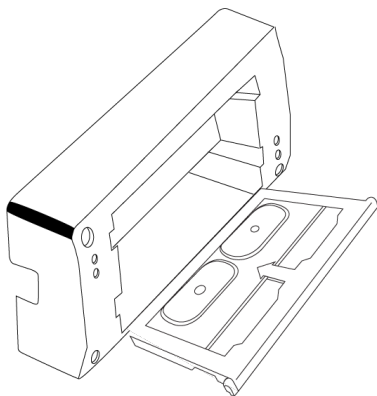
SBM910M



SBM920



SBC-AX



WARNING

- Battery packs may explode or release toxic materials. Risk of fire or burns. Do not open, crush, modify, disassemble, heat above 140°F (60°C), or incinerate.
- Follow instructions from manufacturer
- Only use Shure charger to recharge Shure rechargeable batteries
- **WARNING:** Danger of explosion if battery incorrectly replaced. Replace only with same or equivalent type.
- Never put batteries in mouth. If swallowed, contact your physician or local poison control center
- Do not short circuit; may cause burns or catch fire
- Do not charge or use battery packs other than Shure rechargeable batteries
- Dispose of battery packs properly. Check with local vendor for proper disposal of used battery packs.
- Batteries (battery pack or batteries installed) shall not be exposed to excessive heat such as sunshine, fire or the like

Installation

Handheld and bodypack charging modules may be installed interchangeably into the charger.

Caution! Remove power and batteries when installing charging modules.

- To remove a module, remove the four (4) mounting screws and pull.
- To install, slide the module into the housing (noting the orientation of the guide rails) until it is flush with the housing.
- Replace the screws.

Furnished Accessories

Included Components

Mounting Screws (8) for Charger Modules (30B13476)

Specifications

Dimensions

44 x 86 x 100 mm (1.8 x 3.4 x 4.0 in.)

Housing

Molded ABS, Cast aluminum

Weight

SBM910	102 g (3.6 oz.)
SBM910M	90.4 g (3.2 oz.)
SBM920	116.5 g (4.1 oz.)
SBC-AX	119 g (4.2 oz.)

Certifications

Meets essential requirements of the following European Directives:

- WEEE Directive 2002/96/EC, as amended by 2008/34/EC
- RoHS Directive 2011/65/EU

Note: Please follow your regional recycling scheme for batteries and electronic waste