

# HD 310T

## ALUMINIUM HORN SPEAKER WITH DRIVER AND TRANSFORMER

### DESCRIPTION

The HD 310/T are compact, lightweight and watertight horn speakers. They are designed to provide high efficiency and characterized by the high intelligibility of the reproduced sound with low distortion. The built-in line transformer makes it possible to connect the horn loudspeaker to both 70 and 100 V constant voltage lines, and select the demnlievered power by means of a rotary dial on the rear cover



### FEATURES

- Built-in line transformer with multitap power selector on rear cover
- Hi-pass filter for protecting driver against out-of-range low-freq
- IP 66 construction for indoor-outdoor environmental temperature between -25°C to +70°C
- Aluminium flare with UV-stabilized autoextinguishing UL-HB ABS rear cover

## TECHNICAL SPECIFICATIONS

<b>Acoustical specifications</b>	Frequency Response (-10dB):	240 Hz ÷ 10000 Hz
	Max SPL @ 1m:	123 dB
	Coverage angle:	80°
	System Sensitivity:	108 dB
<b>Power section</b>	Nominal Impedance:	8 ohm
	Power Handling:	30 W
	Peak Power Handling:	120 W PEAK
	Recommended Amplifier:	60 W
<b>Transducers</b>	Compression Driver:	1 x 1.5"
<b>Input/Output section</b>	Input connectors:	Cable
	Output connectors:	Cable
	Constant Voltage Transformer:	70/100 V
	Power selection 1:	30 W - 333 ohm
	Power selection 2:	20 W - 500 ohm
	Power selection 3:	15 W - 667 ohm
	Power selection 4:	10 W - 1000 ohm
Power selection 5:	5 W - 2000 ohm	
Power selection 6 (100 V):	2.5 W - 4000 ohm	
<b>Standard compliance</b>	IP protection grade:	IP 66
	CE marking:	Yes
<b>Physical specifications</b>	Cabinet/Case Material:	Aluminium
	Hardware:	Stainless steel U bracket
	Color:	Grey - RAL 7035
<b>Size</b>	Depth:	315 mm / 12.4 inches
	Diameter:	310 mm / 12.2 inches
	Weight:	1.9 kg / 4.19 lbs
<b>Shipping informations</b>	Package Height:	360 mm / 14.17 inches
	Package Width:	330 mm / 12.99 inches
	Package Depth:	320 mm / 12.6 inches
	Package Weight:	3.53 kg / 7.78 lbs

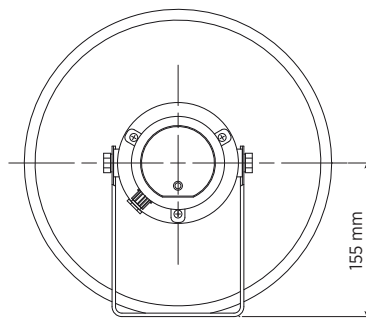
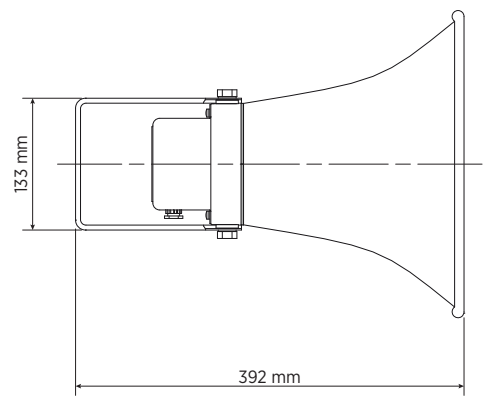
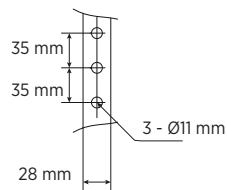
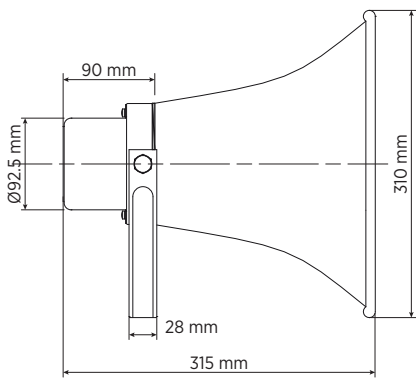
## PART NUMBER

- **13130001**

HD 310T

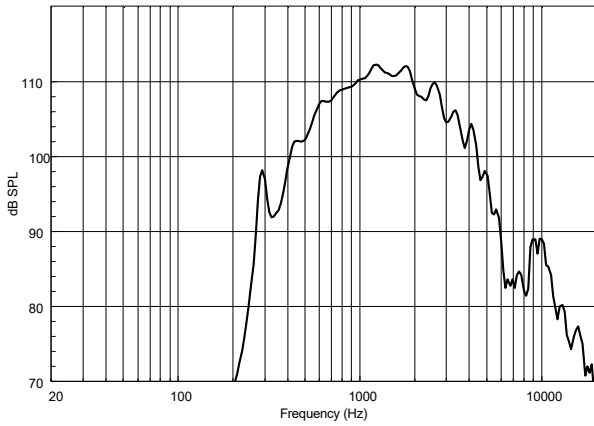
EAN 8024530001254

**DRAWINGS**

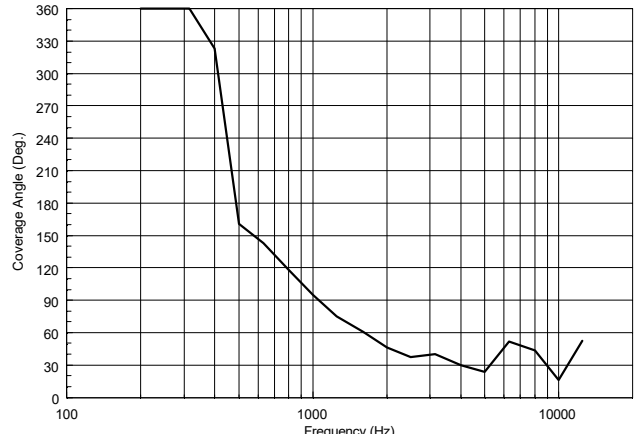




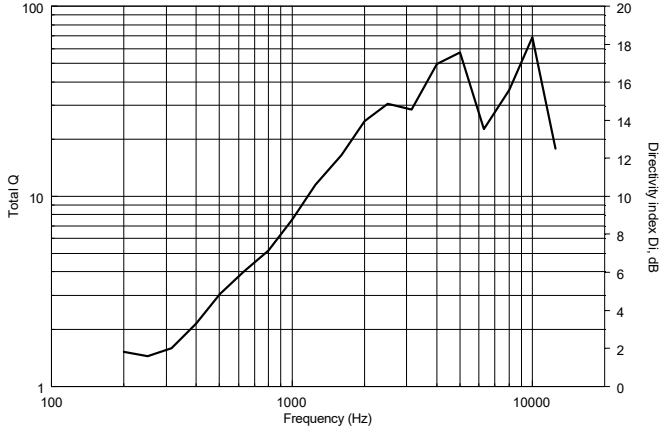
Response 1W/1m



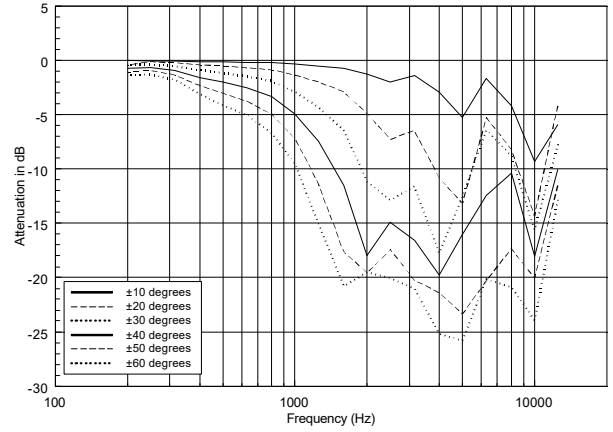
Beamwidth vs. Frequency



Directivity Index and Q



Normalized off-axis Response



HORIZONTAL 1/3 POLAR PLOT

