

# S 10

## BASS REFLEX SUBWOOFER

### DESCRIPTION

S 10 is a high power, compact subwoofer system ideal for those installations where the physically small size and impact of a 10" driver are desired. Extending the frequency response of these systems to below 50Hz this highly efficient design is capable of providing output levels normally associated with considerably larger enclosures.

A system suited to background music playback in applications ranging from clubs, bars and cafes, right through to theatres and AV presentations. The low-frequency transducer is a 10" woofer with a 2,5" voice coil. Woofer design is the result of the latest refinements in RCF experiences in compact active and passive subwoofer design, resulting in a fast and controlled reproduction of the bass frequency range. It is particularly well-suited in high-quality multimedia applications.

### FEATURES

- 400 W RMS power handling
- 124 dB max SPL
- 50 ÷ 200 Hz frequency range
- 1 x 10" high power woofer
- High quality plywood cabinet
- Steel front grille with clothing
- M20 standard pole mount in top section of cabinet
- 4 pole EUROBLOCK connector (audio input and parallel link output)

## TECHNICAL SPECIFICATIONS

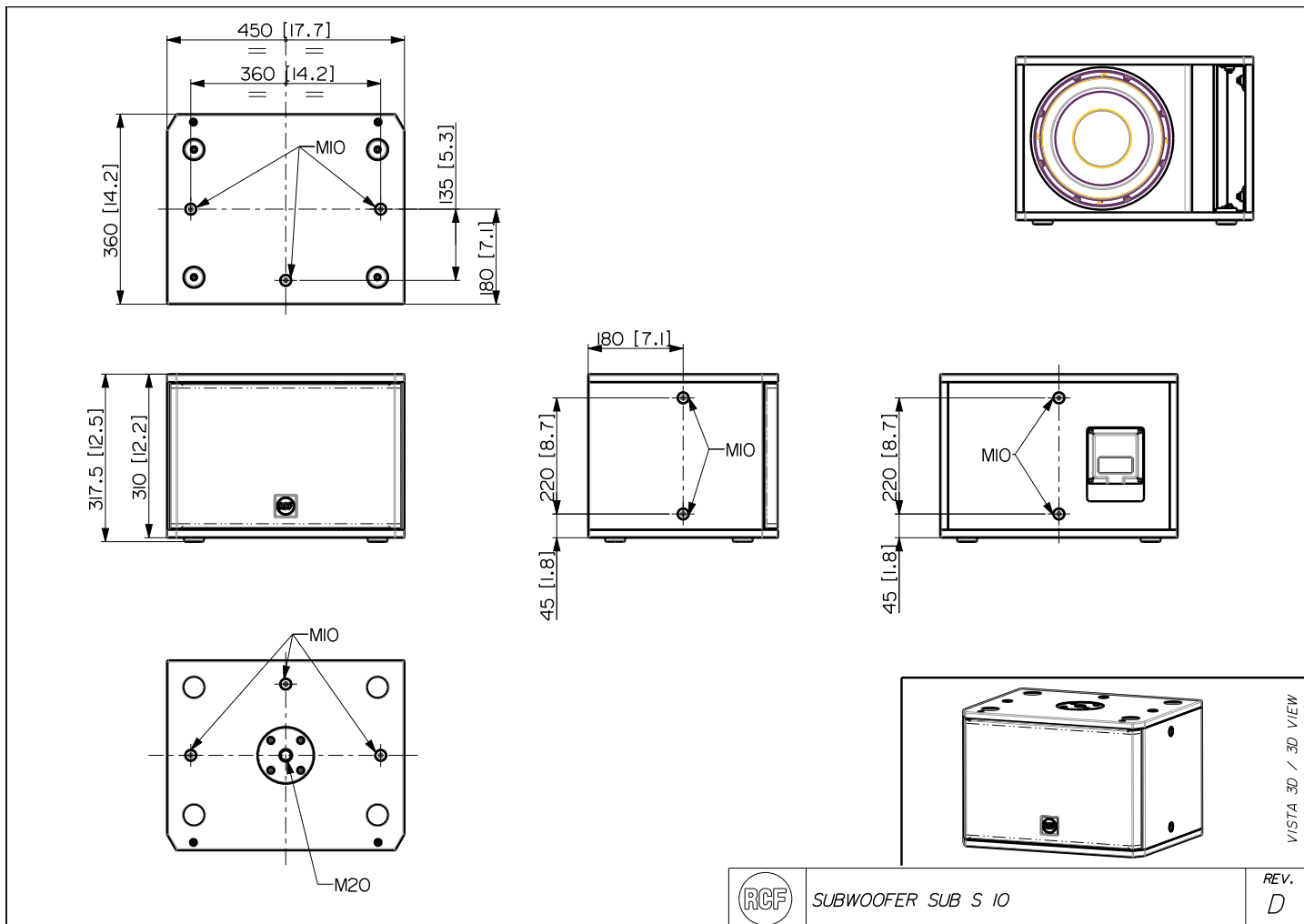
<b>Acoustical specifications</b>	Frequency Response (-10dB):	45 Hz ÷ 200 Hz
	Max SPL @ 1m:	124 dB
	System Sensitivity:	92 dB
<b>Power section</b>	Nominal Impedance:	8 ohm
	Power Handling:	400 W
	Peak Power Handling:	1600 W PEAK
	Recommended Amplifier:	800 W
<b>Transducers</b>	Woofers:	10", 2.5" v.c
<b>Input/Output section</b>	Input connectors:	Euroblock
	Output connectors:	Euroblock
<b>Standard compliance</b>	CE marking:	Yes
<b>Physical specifications</b>	Cabinet/Case Material:	Plywood
	Hardware:	12 x M10
	Pole mount/Cap:	Yes
	Grille:	Steel with clothing
	Color:	Black
<b>Size</b>	Height:	318 mm / 12.52 inches
	Width:	450 mm / 17.72 inches
	Depth:	360 mm / 14.17 inches
	Weight:	19.6 kg / 43.21 lbs
<b>Shipping informations</b>	Package Height:	368 mm / 14.49 inches
	Package Width:	405 mm / 15.94 inches
	Package Depth:	495 mm / 19.49 inches
	Package Weight:	22.2 kg / 48.94 lbs

## PART NUMBER

- **13000617**

S 10

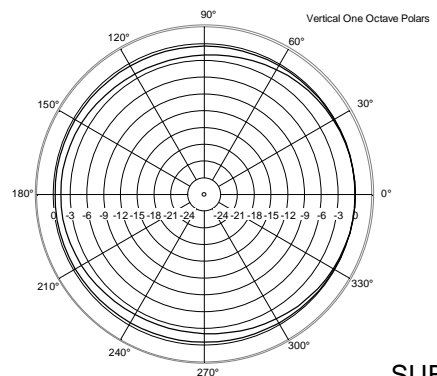
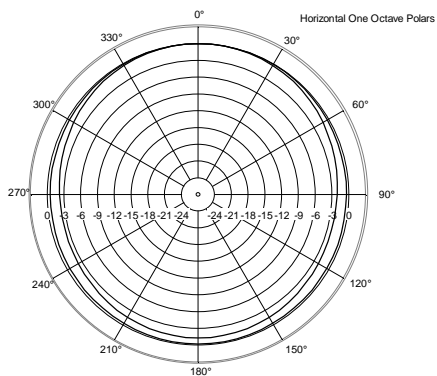
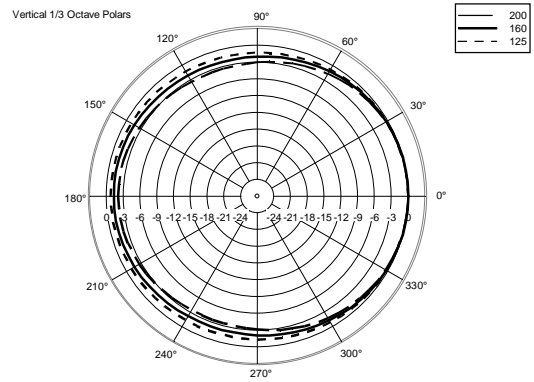
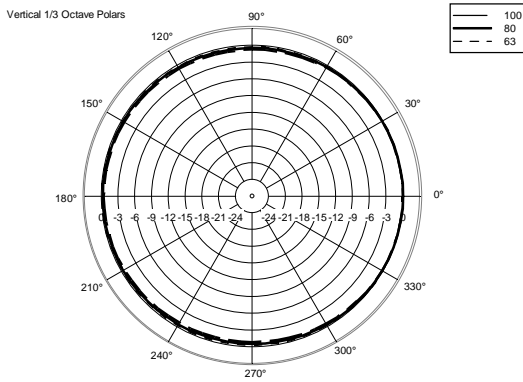
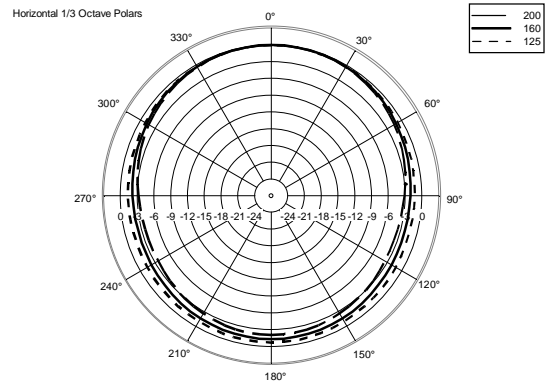
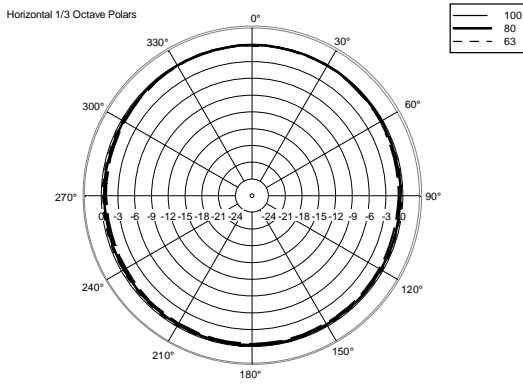
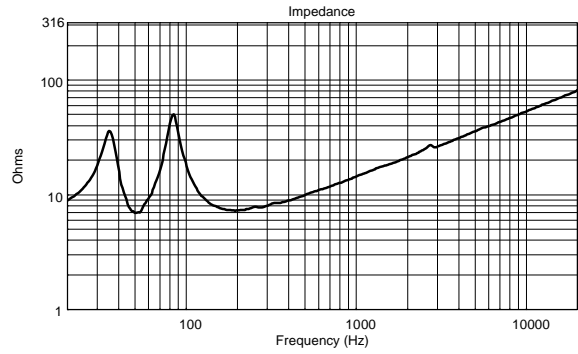
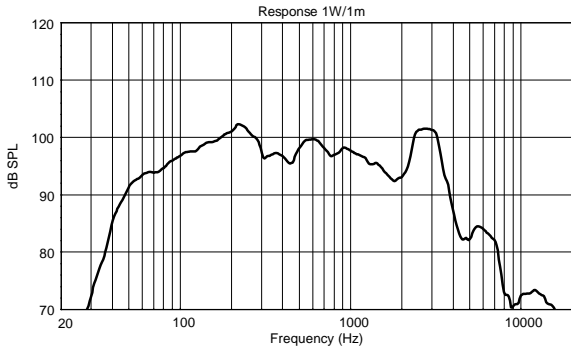
EAN 8024530018337



SUBWOOFER SUB S 10

REV.  
D

VISTA 3D / 3D VIEW



**ACCESSORIES**



PANEL PNL IN-OUT SPEAKON

PART NUMBER **12399062**

EAN: 8024530018733

---