



# Quam

## SYSTEM 12

2' x 2' CLASS

UL LISTED, 8" O.D. Loudspeaker, 5W-25/70V Transformer

### GENERAL DESCRIPTION

The **SYSTEM 12** is a complete, UL Listed, shallow depth, lightweight, 2' x 2' ceiling tile replacement loudspeaker system consisting of an 8C5PAX - 8" O.D. loudspeaker with a 5 oz. magnet and a TBLU - 5W-25/70V transformer. Molded fiber enclosure is 1,283 CID. Powder coated steel baffle with standard perforation and four (4) seismic tie-off points. The cable clamp is included. No assembly required.

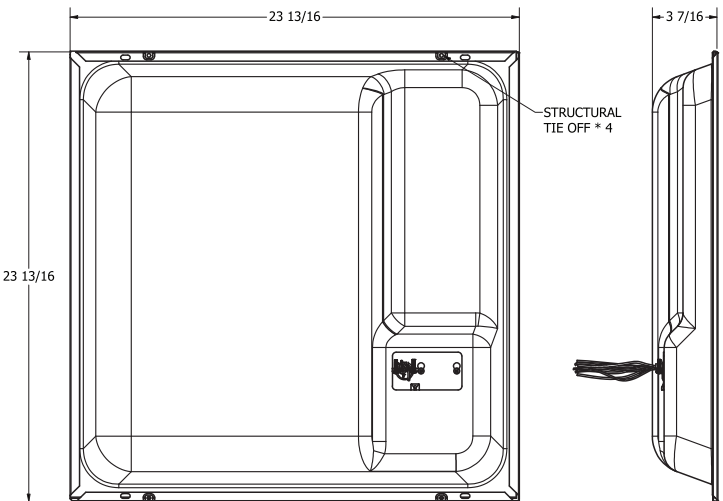


### INTENDED USE - Indoor Environment

<b>Program Material</b>	Signal tones, voice, and music
<b>UL LISTED 1480</b>	As a General Signaling Device - When installed with supplied installation instructions and requirements of NEC /AHJ. (UEAY, UEAY7- Canada)
<b>UL LISTED 2043</b>	Suitable for use in air-handling spaces
<b>City of Chicago Approved</b>	Material and construction permits use where ceiling plenum is part of the air handling system.
<b>Installation</b>	Mounted parallel to floor plane in a 24" wide suspended ceiling tile grid.

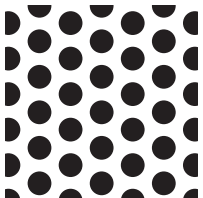
### AUDIO SPECIFICATIONS

<b>Average Sensitivity</b>	92 dB SPL, 1W/1M
<b>Loudspeaker Power Rating</b>	12W RMS EIA 426A Standard
<b>Maximum Power Rating</b>	15W @ 8 Ohms
<b>Calculated Output</b>	99 dB-SPL 5W/1M
<b>Magnet Type &amp; Weight</b>	BeFe Ceramic, 5 oz. Nominal
<b>Frequency Response</b>	65 Hz - 17 kHz EIA 426A Standard
<b>Nominal Coverage Angle</b>	100° Included Angle -6 dB / 2 kHz, Half space
<b>Audio Connection</b>	4" Color-Coded Leads
<b>Unit Weight</b>	6.15 Lbs



### SYSTEM COMPONENTS

<b>Loudspeaker</b>	8C5PAX
<b>Transformer</b>	5W-25/70V : 5 Tap, Color Coded Leads (5W, 2.5W, 1.25W, 0.63W, 0.31W)



Standard Perforation Pattern  
Shown as 1" Square Sample

<p>Recommended construction sequences, installation instructions, and A&amp;E Specifications are available in various formats in the Specs and Diagrams section at: <a href="http://www.QuamSpeakers.com">www.QuamSpeakers.com</a></p>					<p>QUAM NICHOLS COMPANY, INC. 234 East Marquette Road. Chicago, IL. 60637 t: 1-800-NEED-NOW (800-633-3669) f: 1-888-NEED-NOW (888-633-3669) e: <a href="mailto:NeedNow@QNC.com">NeedNow@QNC.com</a> <a href="http://www.QuamSpeakers.com">www.QuamSpeakers.com</a></p>
<p>©2019 Quam Nichols Company reserves the right to make changes and/or improvements to its products at any time and without notice.</p>					