

TILE REPLACEMENT LOUDSPEAKERS

SYSTEM 15

2' x 2' CLASS

8" O.D. CoAx Loudspeaker, 10W-70V Low Loss Transformer



Quam

GENERAL DESCRIPTION

The **SYSTEM 15** is a complete, shallow depth, lightweight, 2' x 2' ceiling tile replacement loudspeaker system consisting of an 8C10FECO - 8" O.D. foam edge, coaxial loudspeaker with a 10 oz. magnet and a TCH70 - 10W-70V transformer. Molded fiber enclosure is 1,283 CID. Powder coated steel baffle with standard perforation and four (4) seismic tie-off points. The cable clamp is included. No assembly required.

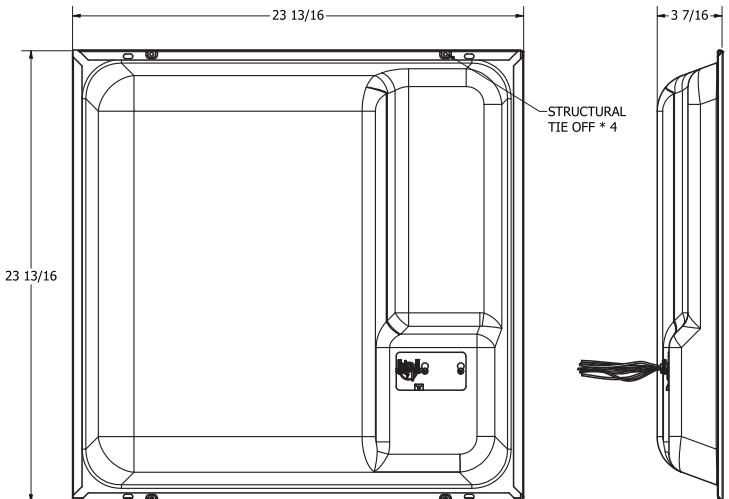


INTENDED USE - Indoor Environment

Program Material	Signal tones, voice, and music
Installation	Mounted parallel to floor plane in a 24" wide suspended ceiling tile grid.

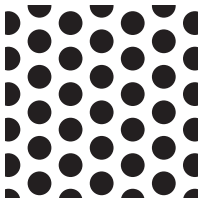
AUDIO SPECIFICATIONS

Average Sensitivity	95 dB SPL, 1W/1M
Loudspeaker Power Rating	20W RMS EIA 426A Standard
Calculated Output	105 dB-SPL 10W/1M
Magnet Type & Weight	BeFe Ceramic, 10 oz. Nominal
Frequency Response	40 Hz - 20 kHz EIA 426A Standard
Nominal Coverage Angle	100° Included Angle -6 dB / 2 kHz, Half space
Audio Connection	7" Leads
Unit Weight	6.90 Lbs



SYSTEM COMPONENTS

Loudspeaker	8C10FECO
Transformer	10W-70V : 5 Tap, Color Coded Leads (10W, 5W, 2.5W, 1.25W, 0.63W)



Standard Perforation Pattern
Shown as 1" Square Sample

<p>Recommended construction sequences, installation instructions, and A&E Specifications are available in various formats in the Specs and Diagrams section at: www.QuamSpeakers.com</p>				<p>QUAM NICHOLS COMPANY, INC. 234 East Marquette Road. Chicago, IL. 60637 t: 1-800-NEED-NOW (800-633-3669) f: 1-888-NEED-NOW (888-633-3669) e: NeedNow@QNC.com www.QuamSpeakers.com</p>
<p>©2019 Quam Nichols Company reserves the right to make changes and/or improvements to its products at any time and without notice.</p>				