



SHURE
STEM
ECOSYSTEM

STEM WALL



STEM TABLE



STEM CEILING



STEM SPEAKER



STEM HUB



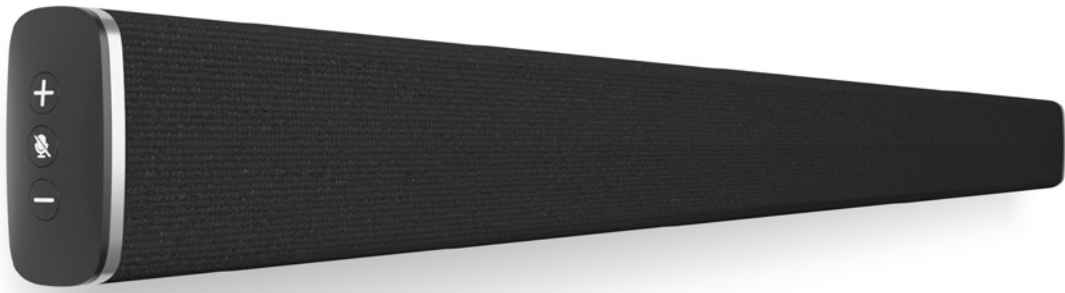
STEM CONTROL



STEM WALL

HIGH QUALITY COVERAGE FROM WALL TO WALL

Wall Mount Array Speakerphone — Designed to be mounted on a wall or placed on a credenza, Stem Wall is a high-quality microphone array with built in speakers and subwoofers that turns any environment into a professional conference room. With Stem Wall everyone in your meeting room has a voice.



+ DIRECTIONAL ARRAY

15 beamforming microphones create 180 degrees of coverage towards the voice source, while multiple LED lights indicate the pick-up direction.

+ NO EXTERNAL SPEAKERS NEEDED

Two built-in speakers and subwoofers deliver full range audio output in any room. Speaker volume can be easily adjusted with volume up & down buttons on the device or through Stem Control.

+ BUILT-IN SIGNAL PROCESSING

State-of-the-art AEC, AGC, noise cancellation, and de-reverberation algorithms enable full duplex communication and enhance the conferencing experience for all participants.

+ INSTALLATION

Power over Ethernet (PoE+) and networked setup eliminate complicated cabling and make installation effortless.

DIMENSIONS

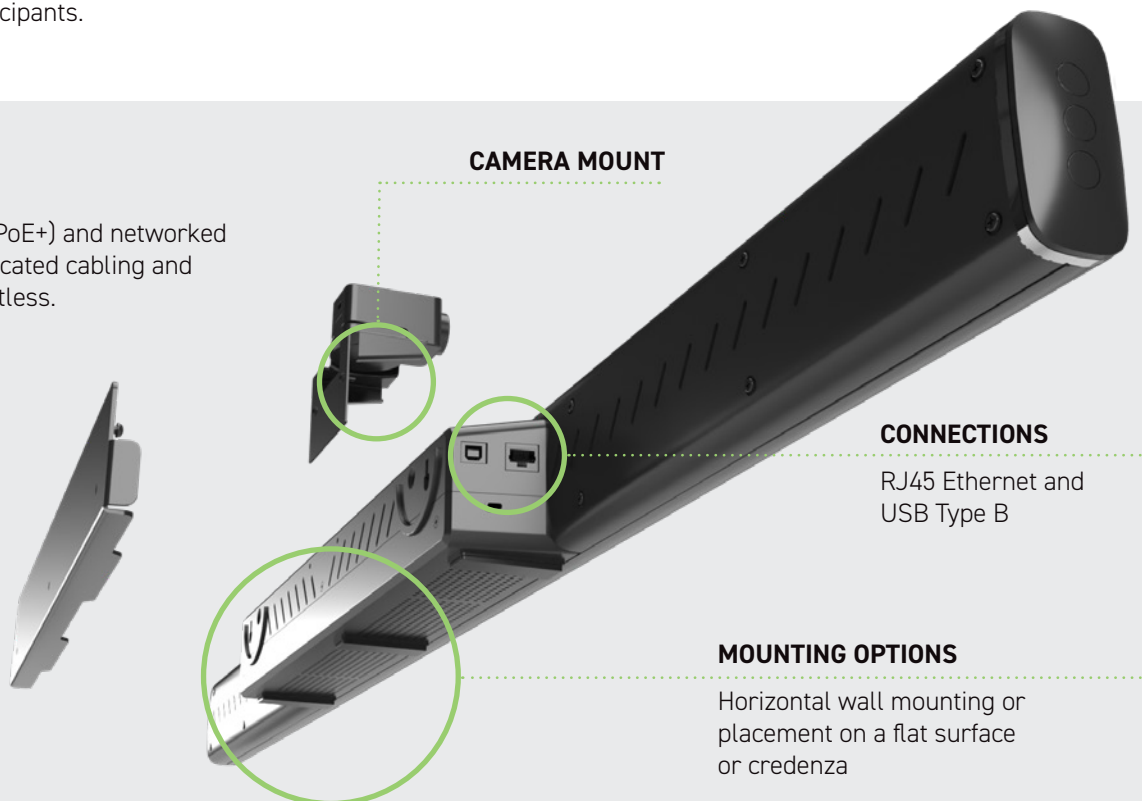
Length: 48 in. (122 cm)
Height: 3.25 in. (8.3 cm)

+ CREATE YOUR IDEAL AV COMBO

Attach the video camera of your choice with the included mounting kit and place the device above or below your display to complete the AV setup in your room. In larger spaces, increase your audio coverage with additional Stem Ecosystem devices.

+ VIDEO CONFERENCING SIMPLIFIED

Compatible with your favorite video conferencing platforms. Directly connect a standalone Stem Wall to your PC via USB or use Stem Control to integrate your Stem Ecosystem for video conferencing.



CAMERA MOUNT

CONNECTIONS

RJ45 Ethernet and
USB Type B

MOUNTING OPTIONS

Horizontal wall mounting or
placement on a flat surface
or credenza



APPLICATIONS

Need more coverage? Mix and match with other Stem Ecosystem devices for a customized audio solution to perfect the pick-up in your rooms. The reference designs below are just a few examples of how you can create countless combinations of Stem Ecosystem devices to meet the needs of any meeting room environment.

See more examples at www.stemaudio.com/reference-room-designs



Huddle Room

1 Stem Wall | 1 Stem Control



Medium Conference Room

2 Stem Walls | 1 Stem Hub | 1 Stem Control



U-Shaped Conference Room

1 Stem Wall | 2 Stem Ceilings | 1 Stem Hub | 1 Stem Control



Classroom

3 Stem Walls | 1 Stem Hub | 1 Stem Control



STEM ECOSYSTEM PLATFORM

Stem devices are backed by a robust platform full of tools designed to make the process of adopting new technology effortless for anyone. You can access the Stem Ecosystem platform via Stem Control, iOS or Android app, or via HTML web browser.

RoomDesign

Virtually recreate your room so you know exactly what audio devices you need before you buy. Choose your favorite combination of devices, place them in your desired location, and even check the estimated coverage ranges.

RoomAdapt

No manual configuration or tuning needed. At the press of a button, Stem devices will listen to and automatically adjust and optimize device settings specific to the acoustic signature of your room.

RoomCheck

By listening to your voice, the noise in the room, and measuring the reverberation that your room acoustics produce, RoomCheck generates a heatmap highlighting the expected audio quality for different areas in the room.

Remote Management

See what's happening across your organization at any given moment. Learn from data-rich statistics about room usage and performance, or schedule automatic device updates, all in one place.