



Thump18S

The Thump18S 1200W 18" Powered Subwoofer features a professional band-pass design that delivers class-leading output and deep, room-filling lows. Designed by the world's leader in portable live sound, the Thump18S provides ample power for high-output applications, bringing your Thump or SRM system to an entirely new level.

A full set of professional input and output connections provide simple integration and sonic optimization of any system. Plus, there's ample system protection in place to protect your investment.

With tons of power and a high-output/deep punch band-pass design, the Thump18S is the perfect subwoofer to complete your professional PA.

FEATURES:

- 1200W of Room-Shaking Low End
 - Professional band-pass design for maximum output and deep, room-filling lows
 - 18" custom high-output woofer
 - Cool-running Class-D amplification
- Total System Optimization
 - Precision crossover (140 Hz)
 - Tuning filters deliver highly accurate bass response
 - Robust system protection
- Application Flexible
 - Dual XLR inputs for mono or stereo applications
 - Stereo high-pass outputs optimize sound when connecting top boxes
 - Stereo full-range outputs perfect for adding more subwoofers
 - User-adjustable level and polarity controls
 - Easily mount your full-range loudspeaker via pole cup
- Solid All-Wood Design
 - Robust all-wood enclosure with high-durability finish
 - "Built-Like-A-Tank" construction
 - 82 lb / 37.2 kg



Like us



Follow us



Watch our dang videos



Thump18S

1200W 18-Inch
Powered Subwoofer

Thump18S SUBWOOFER SPECIFICATIONS

Acoustic Performance

Frequency Response (-3 dB)	40 Hz – 120 Hz
Frequency Response (-10 dB)	30 Hz – 132 Hz
Max peak SPL	130 dB
Crossover Point	140 Hz
Slope	2nd order HP, 6th order LP

Transducer

Woofer Diameter	18.0 in / 457 mm
Voice Coil Diameter	3.0 in / 76 mm
Cone Material	Paper
Magnet Material	Ferrite

Power Amplifier

Rated Power	600 watts rms 1200 watts peak
Rated THD	< 1%
Cooling	Convection
Design	Class D

Input / Output

Input Type	Female XLR balanced
Input Impedance	20 k Ω balanced, 20 k Ω unbalanced
Full Range Outputs	Male XLR balanced
High Pass Outputs	Male XLR balanced

Line Input Power

US detachable line cord	100 – 120 VAC, 50 – 60 Hz, 150W
EU detachable line cord	220 – 240 VAC, 50 – 60 Hz, 150W
AC Connector	3-pin IEC 250 VAC, 10 A male
Power Supply Type	Switchmode
Operating Temperature [extended ambient temperature]	0 - 40 °C 32 - 104 °F

Safety Features

Input Protection	Peak and RMS limiting, power supply and amplifier thermal protection
Display LEDs	Front and rear power ON, Rear OL limiter

Construction Features

Cabinet	Exterior grade 15 mm plywood
Finish	Textured black catalyzed polyurethane paint
Handles	One on each side

Mounting Method

The Thump18S subwoofer is designed to sit on the floor or stage. It is NOT designed to be pole-mounted or suspended. The cabinet has no rigging points and is not suitable for rigging. Never attempt to suspend the Thump18S by its handles.

Physical Properties (packaged product)

Height	28.2 in / 716 mm
Width	27.5 in / 699 mm
Depth	28.2 in / 716 mm
Weight	87 lb / 39.5 kg

Physical Properties (product)

Height	26.5 in / 672 mm
Width	22.6 in / 573 mm
Depth	22.8 in / 580 mm
Weight	82 lb / 37.2 kg

Options


Thump18S Subwoofer Cover	P/N 2036809-25
SPM200 Loudspeaker Pole Mount	P/N 2035170-01

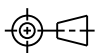
Ordering Information

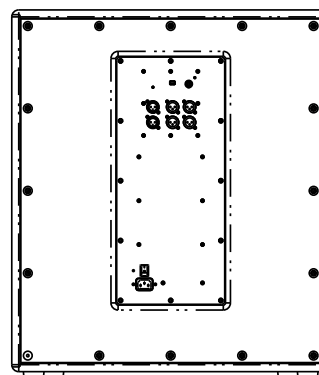
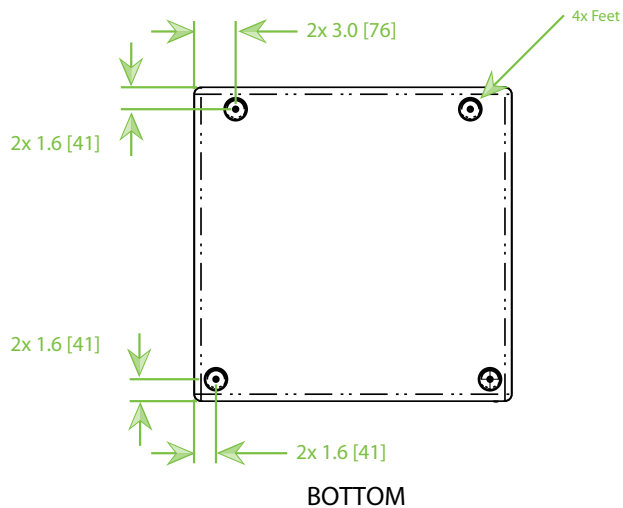
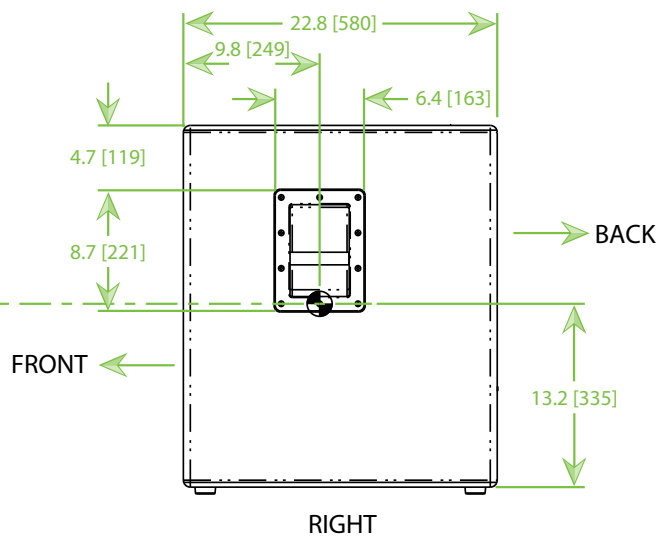
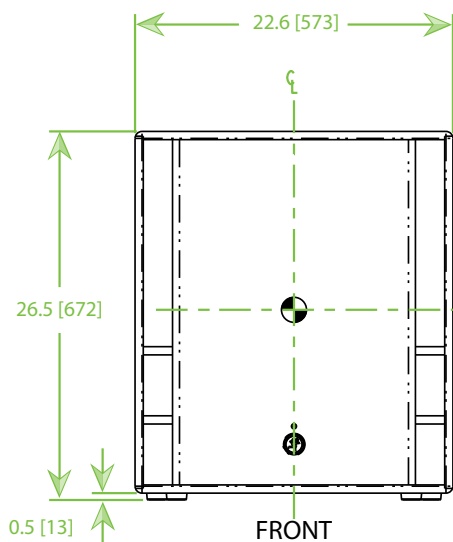
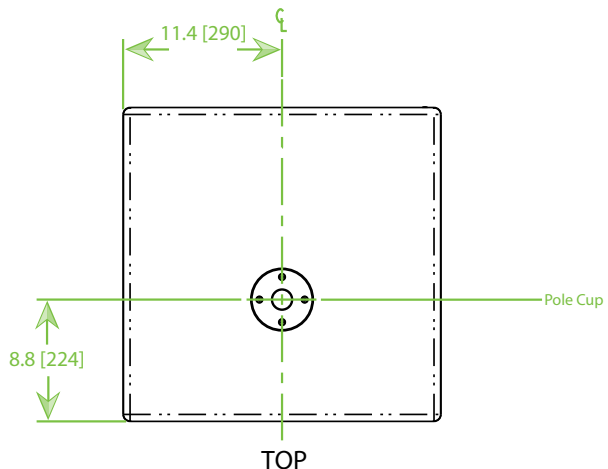
Thump18S 1200W 18" Powered Subwoofer, US	P/N 2042232-00
Thump18S 1200W 18" Powered Subwoofer, EU	P/N 2042232-01
Thump18S 1200W 18" Powered Subwoofer, UK	P/N 2042232-03
Thump18S 1200W 18" Powered Subwoofer, AU	P/N 2042232-04
Thump18S 1200W 18" Powered Subwoofer, CN	P/N 2042232-05
Thump18S 1200W 18" Powered Subwoofer, BZ (120V)	P/N 2042232-06
Thump18S 1200W 18" Powered Subwoofer, BZ (230V)	P/N 2042232-16

Thump18S SUBWOOFER DIMENSIONS

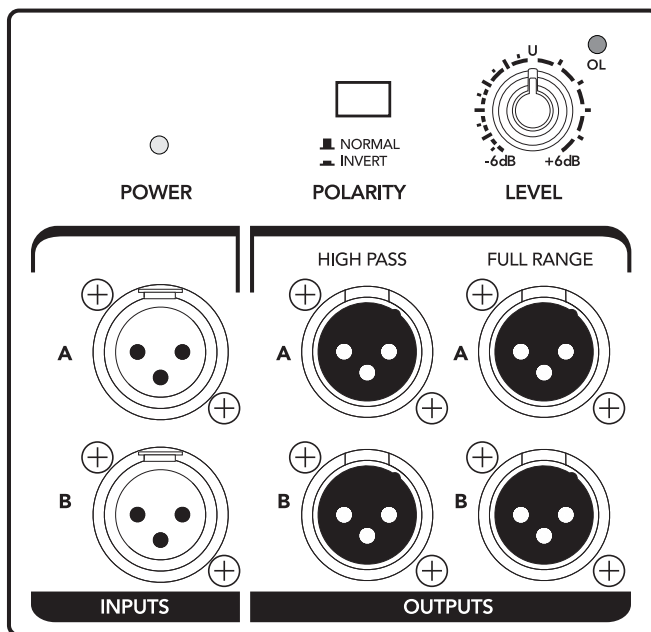
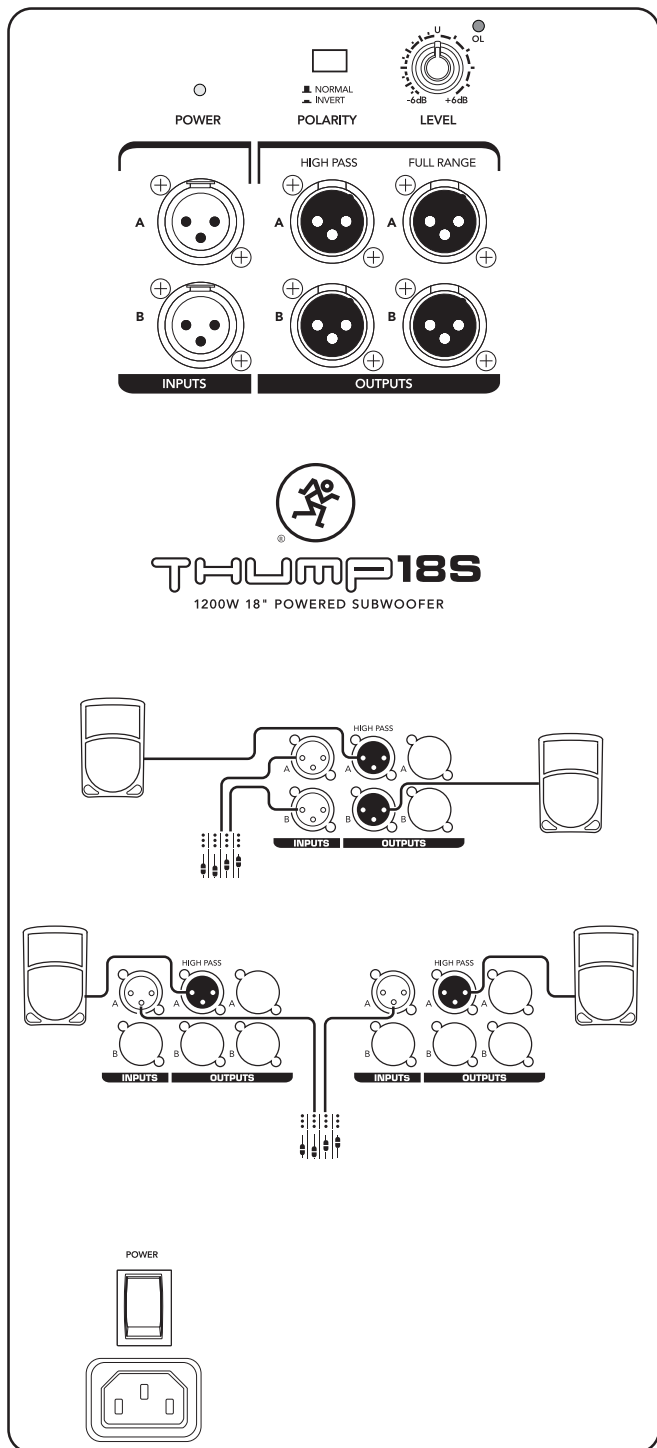
NOTES:

1. SYMBOL  INDICATES CENTER OF GRAVITY.
2. WEIGHT APPROX. 82.0 lb [37.2 kg].
3. SHIPPING WEIGHT APPROX. 87 lb [39.5 kg].

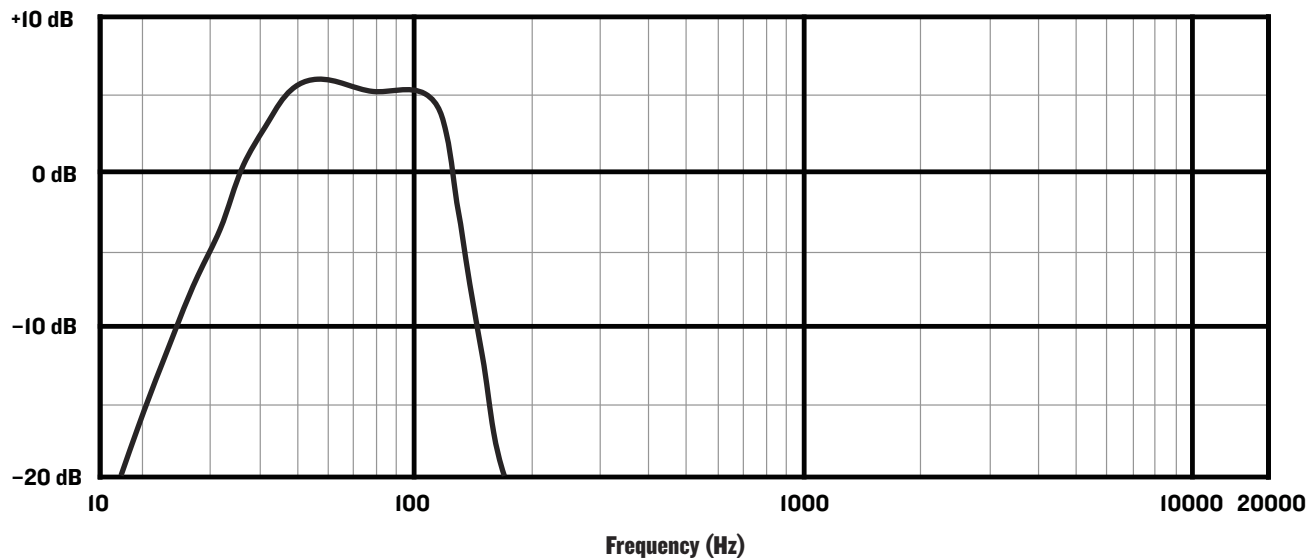
<p>THIRD ANGLE PROJECTION</p> 	<p>UNLESS OTHERWISE SPECIFIED: ALL DIMENSIONS ARE IN INCHES DUAL [MM] DIMENSIONS FOR REF ONLY</p> <p>TOLERANCE IN INCHES LINEAR ± 0.13 in / ± 3.3 mm ANGLES $\pm 1^\circ$</p> <p>(X.XX) = REF DIMS NO TOLERANCE IMPLIED</p> <p>TSC = THEORETICAL SHARP CORNER</p> <p>DIMENSIONS ACROSS CENTERLINES TO BE SYMMETRICAL</p>
<p>THE INFORMATION CONTAINED HEREIN IS PROPRIETARY AND CONFIDENTIAL PROPERTY OF LOUD TECHNOLOGIES, INC. ALL RIGHTS RESERVED</p>	



Thump18S SUBWOOFER REAR PANEL



Thump18S SUBWOOFER FREQUENCY RESPONSE



LOUD Technologies Inc. is always striving to improve our products by incorporating new and improved materials, components, and manufacturing methods. Therefore, we reserve the right to change these specifications at any time without notice.

“Mackie” and the “Running Man” figure are registered trademarks of LOUD Technologies Inc. All other brands mentioned are trademarks or registered trademarks of their respective holders, and are hereby acknowledged.

©2014 LOUD Technologies Inc. All rights reserved.

Electronic files for this product are available at:

www.mackie.com

Specification Sheet	Thump18S_SS.PDF
Owner's Manual	Thump18S_OM.PDF



www.mackie.com
 16220 Wood-Red Road NE
 Woodinville, WA 98072 USA
 800-898-3211, Fax 425-487-4337

Part No. SWI062 Rev. A 03/14