



WR-5AT

Environment Resistant 7.5 Watt Music Loudspeakers



WR-5AT

Specifications

WR-5AT

Power	7.5 Watts
Frequency Response	400Hz -7.8kHz (±5dB)
Sensitivity SPL (1w/1m)	106.5dB
Dispersion	90°
Diameter	6" (152mm)
Depth	4¼" (102mm)
Weight	2 Lbs. (1kg)

* Measured 4" on axis at rated power

Architect and Engineer Specifications

Loudspeaker shall be Atlas Sound Model_____ (WR-5AT) or approved equal. Assembly shall include a cone loudspeaker mounted within a reflex housing. All exposed parts shall be stainless steel or plated and sealed. The weatherproof unit shall be constructed of heavy gauge spun aluminum. Audio power rating shall be 7.5 watts with a frequency response of 400Hz-7.8kHz (±5dB). Dispersion angle shall be 90°.

Unit shall produce a sound pressure level of 106.5dB (7.5W/1M), 113dB (1W/1M) when measured 4 ft. on axis at rated power. Loudspeaker shall be equipped with a 70.7 volt line transformer having .65, 1.25, 2.5, 5.0, and 7.5 Watt taps for impedance selection of 8000Ω, 4000Ω, 2000Ω, 1000Ω, and 666Ω. Loudspeaker shall be furnished with adjustable mounting bracket.

Features

- Economy Loudspeaker for Paging, Music and Signaling
- 7.5 Watts for Localized or Area Communications
- Delivers Extended Frequency Response for Pleasing Sound Reproduction
- Withstands Indoor and Outdoor Environments

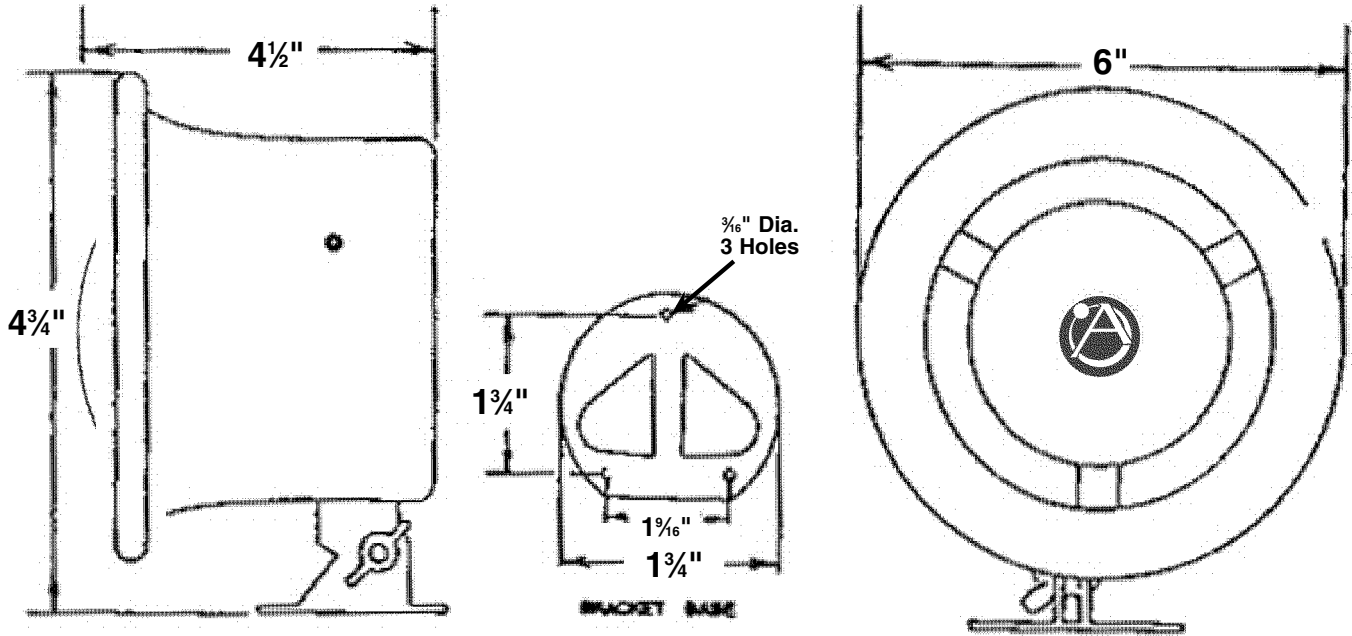
Applications

Depend on the WR-5AT loudspeaker to reproduce natural sound for indoor or outdoor music, paging, and signaling functions. These competitively priced units are designed for localized area sound distribution wherever a medium power environment resistant loudspeaker is required. Typical applications include walkways, recreation centers, drive-in service lanes, customer service booths, individual work stations, patios, retail, and storage areas. These versatile units are also ideally suited as signaling supplements to access control systems and as extension loudspeakers for two-way radio and mobile communication receivers. Multi-position bracket is provided for installation flexibility to walls, ceilings, pole and light posts.

General Description

Cost-effective reflex loudspeaker Model WR-5AT is 7.5 Watt unit, for use where environment resistance and small size are important criteria in equipment selection for localized sound distribution. A specially engineered reflex housing enhances frequency response and optimum efficiency of the cone loudspeaker. Weatherproof treatment and construction allows flexibility and dependable performance in indoor and outdoor installations. Model WR-5AT is equipped with a 70.7V/25V transformer with screwdriver adjustable watts/impedance switch. Housing is constructed of heavy-gauge spun aluminum with durable light epoxy finish.

©2011 Atlas Sound L.P. All rights reserved. Atlas Sound and Strategy Series are trademarks of Atlas Sound L.P. All other trademarks are the property of their respective owners. AT5001015 RevE 7/12



WR-5AT Frequency Response

