



CUEPIX BLINDER WW2™

SKU# CUE265

FEATURES

- 2 x 100W Warm White 3,200K COB LEDs
- 100,000 Hour Rated Life LEDs
- 60° Beam Angle - 80° Field Angle
- RDM (Remote Device Management)
- Individual COB Module Control Including Pan Focus
- Variable and Selectable Dimming Curves
- Strobe Effect
- Flicker Free Operation for TV and FILM
- Integrated Rigging Bracket



The new CUEPIX Blinder WW2™ features (2) long life 100W Warm White 3,200K COB LEDs, a 60° beam angle, RDM (Remote Device Management), individual control of each COB module including manual pan focus, variable and selectable dimming curves, strobe effects, flicker free operation for TV and Film, 3pin and 5pin DMX and powerCon in/out connections, LCD menu display with 4 button control panel, integrated rigging bracket, and a multi-voltage universal auto switching power supply (100-250v).



Specifications are preliminary and subject to change without notice ©Elation Professional

Elation Professional USA - Corporate Headquarters | 6122 S. Eastern Ave. | Los Angeles, CA. 90040
323-582-3322 | 323-832-9142 fax | www.elationlighting.com | info@elationlighting.com

Elation Professional B.V. | Junostraat 2 | 6468 EW Kerkrade, Netherlands
+31 45 546 85 66 | +31 45 546 85 96 fax | www.elationlighting.eu | info@elationlighting.eu

PRODUCT SPECIFICATIONS

SOURCE

(2) 100W Warm White 3,200K COB LEDs
100,000 Hour Average Life

PHOTOMETRIC DATA

5900 Max LUX (548 fc) @1M (Full On)

FEATURES

High Power Long Life Warm White COB LEDs
60° Beam Angle - 80° Field Angle
Individual Control of Each COB Module
Dimming : 0% - 100% of Each COB Module
RDM (Remote Device Management)
Flicker FREE Operation for TV and FILM
Stand Alone Operation with Master/Slave Function
Integrated Rigging Bracket

EFFECTS

Strobe
Variable and Selectable Dimming Curves

CONTROL / CONNECTIONS

4 DMX Channel Modes (1 / 2 / 3 / 4)
4 Button Control Panel and LCD Menu Display
3pin and 5pin DMX In/Out
RDM (Remote Device Management)
powerCON Power In/Out

SIZE / WEIGHT

Length: 18.8" (478 mm)
Width: 7.1" (181.2 mm)
Horizontal Height: 10.2" (259.4 mm)
Weight: 11.2 lbs. (5.1 kg)

ELECTRICAL / THERMAL

AC 100-240V - 50/60Hz
229W Max Power Consumption
-14°F to 113°F (-10°C to 45°C)

APPROVALS / RATINGS

CE Approved
IP20 Rated

INCLUDED ACCESSORIES

(1) powerCON Cable

OPTIONAL ACCESSORIES

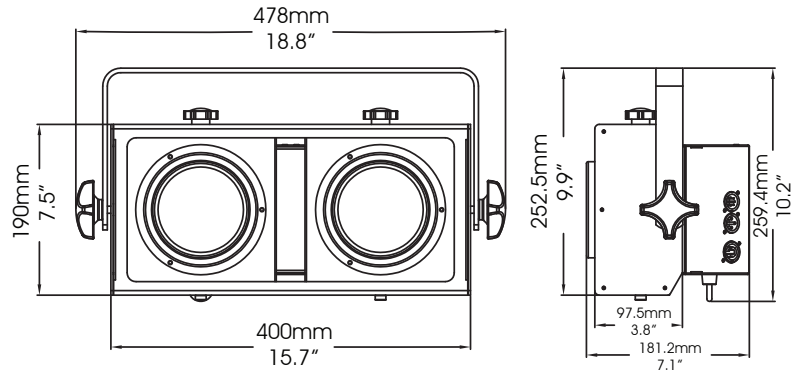


TRIGGER CLAMP
SKU# TRIGGER CLAMP



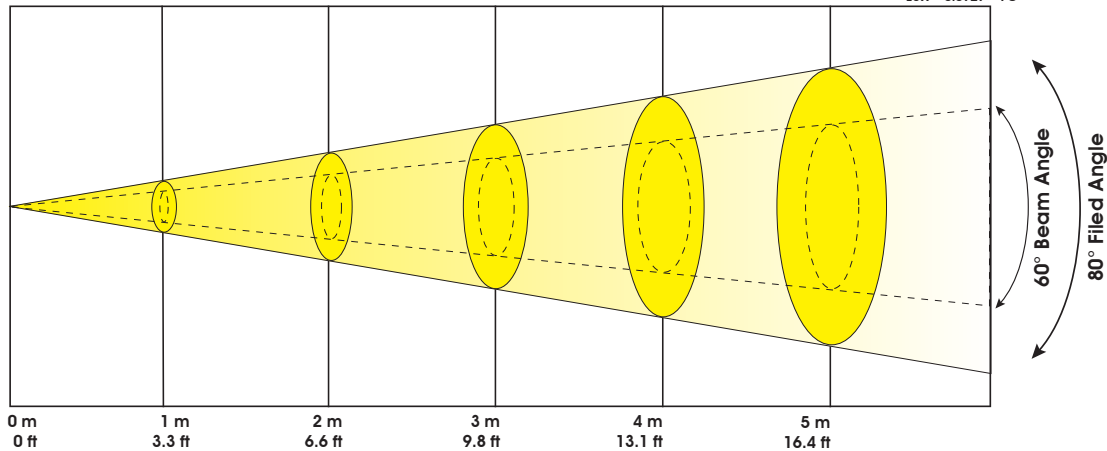
powerCON LINK CABLE
3' (0.91m) SKU# PLC3
6' (1.83m) SKU# PLC6
10' (3.04m) SKU# PLC10
15' (4.57m) SKU# PLC15

DIMENSIONAL DIAGRAM



PHOTOMETRIC DATA

FULL ON 548 FC / 5900 LUX 127 FC / 1370 LUX 59 FC / 635 LUX 37 FC / 396 LUX 25 FC / 264 LUX LUX x 0.0929 = FC



Max Beam Diameter

60° Beam Angle	Ø 1.4 m / Ø 4.4 ft	Ø 2.4 m / Ø 7.7 ft	Ø 3.5 m / Ø 11.3 ft	Ø 4.6 m / Ø 15.1 ft	Ø 5.8 m / Ø 18.9 ft
80° Field Angle	Ø 2.0 m / Ø 6.5 ft	Ø 3.4 m / Ø 11.0 ft	Ø 5.0 m / Ø 16.5 ft	Ø 6.7 m / Ø 22.0 ft	Ø 8.4 m / Ø 27.6 ft

Specifications are preliminary subject to change without notice ©Elation Professional

