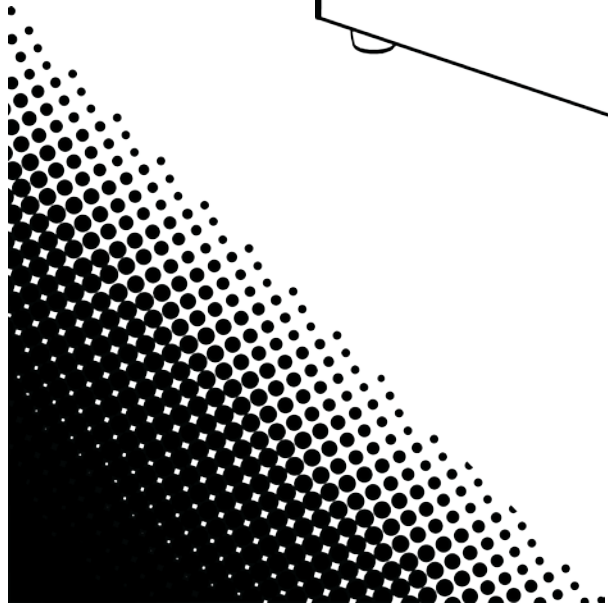
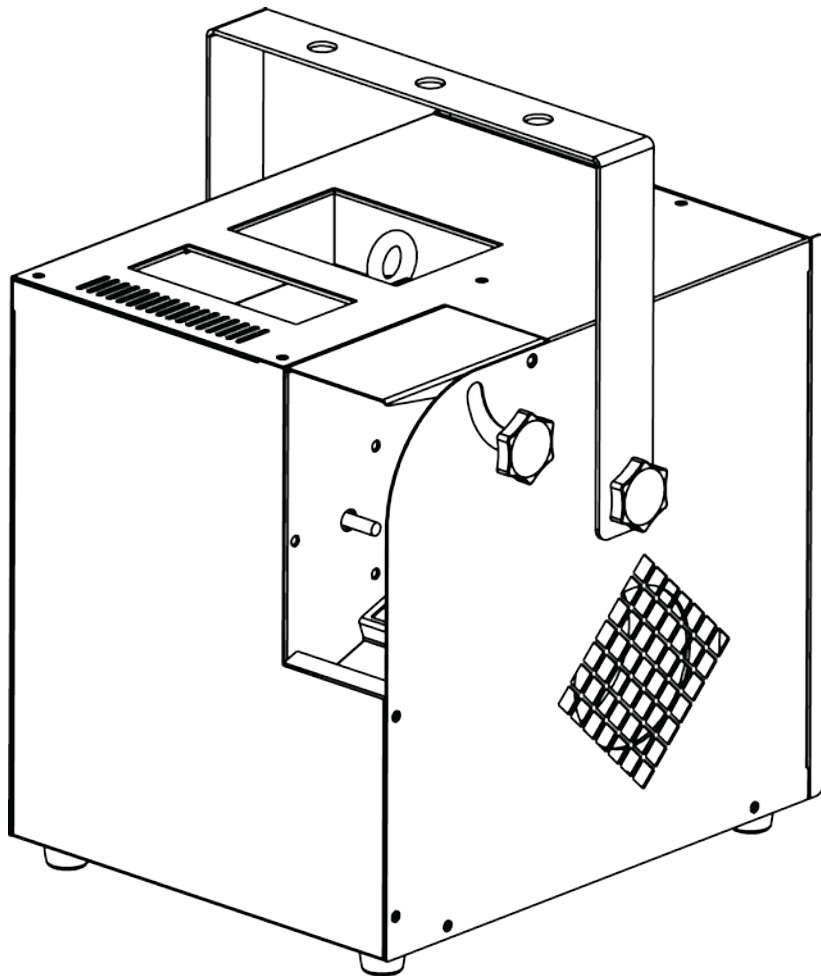




User Manual



CHAUVET[®]
Value • Innovation • Performance

TABLE OF CONTENTS

1. Before You Begin.....	3
What Is Included	3
Unpacking Instructions	3
Claims.....	3
Text Conventions	3
Icons	3
Document Information	3
Product at a Glance.....	4
Safety Notes	4
2. Introduction.....	5
Product Overview.....	5
Product Dimensions	6
3. Setup	7
AC Power.....	7
Fuse Replacement.....	7
Mounting	8
Orientation.....	8
Rigging.....	8
4. Operation	9
Control Panel Operation	9
Remote Operation.....	9
Menu Map.....	9
Configuration (DMX).....	9
Starting Address.....	9
Configuration (Standalone Mode)	10
Manual Mode.....	10
DMX Channel Assignments and Values.....	10
2-CH.....	10
5. Technical Information	11
General Maintenance	11
Storage	11
General Troubleshooting	12
Returns Procedure	13
Contact Information.....	13
6. Technical Specifications.....	14

1. BEFORE YOU BEGIN

- What Is Included**
- 1 x Hurricane™ Haze 2D
 - 1 x Power Cord
 - 1 x Wired Remote (15 ft length)
 - 1 x Warranty Card
 - 1 x Quick Reference Guide

Unpacking Instructions Immediately upon receiving this product, carefully unpack it and check the container in which you received it.




Claims If the container or the material inside the container (the product and included accessories) appear damaged from shipping, or show signs of mishandling, upon receipt notify the carrier immediately, not CHAUVET®. Failure to do so in a timely manner may invalidate your claim with the carrier. In addition, keep the container and all the packing material for inspection.

For other issues such as missing components or parts, damage not related to shipping, or concealed damage, file a claim with CHAUVET® within seven (7) days of receiving the merchandise.

Text Conventions

Convention	Meaning
<Menu>	A key to be pressed on the product's control panel
1~512	A range of values
50/60	A set of values of which only one can be chosen
Settings	A menu option not to be modified (for example, showing the operating mode/current status)
Menu > Settings	A sequence of menu options to be followed
ON	A value to be entered or selected

Icons

Icon	Meaning
	Critical installation, configuration, or operation information. Failure to comply with this information may render the product partially or completely inoperative, cause damage to the product, or cause harm to the user.
	Important installation or configuration information. Failure to comply with this information may prevent the product from functioning correctly.
	Useful information.

Document Information

The information and specifications contained in this document are subject to change without notice. CHAUVET® assumes no responsibility or liability for any errors or omissions that may appear in this manual.

© Copyright 2013 CHAUVET®. All rights reserved.

Printed in P.R.C.

Electronically published by CHAUVET® in the United States of America.

Author	Date	Editor	Updated
A. Leon	6/10/13	T. Yeago	06/17/13

Product at a Glance

Use on Dimmer	X	Auto Programs	X
Outdoor Use	X	Auto-ranging Power Supply	X
Sound Activated	X	Replaceable Fuse	P
DMX	P	User Serviceable	X
Master/Slave	X	Duty Cycle	X

Safety Notes



Please read the following Safety Notes carefully before working with the product. The Notes include important safety information about installation, usage, and maintenance.

- Always connect the product to a grounded circuit to avoid the risk of electrocution.
- Always disconnect this product from the power source before cleaning it or replacing the fuse.
- Make sure the power cord is not crimped or damaged.
- Never disconnect the power cord by pulling or tugging on the cord.
- Do not touch the output nozzle on this product. It is very hot during operation and it may remain hot for several hours after turning the unit off.
- If mounting this product overhead, always secure it to a fastening device using a safety cable.
- Do not mount this product on a flammable surface (e.g., wood, linoleum, carton, plastic, or carpet).

- Always make sure that the voltage of the outlet to which you are connecting the product is within the range stated on the decal or rear panel of the product.
- Keep this User Manual for future consultation. If you sell this product to another user, be sure that they also receive this document.
- This product is for indoor use only! To prevent risk of fire or shock, do not expose this product to rain or moisture.
- Make sure there are no flammable materials close to the unit while operating.
- Always install this product in a location with adequate ventilation, at least 20 in (50 cm) from adjacent surfaces.

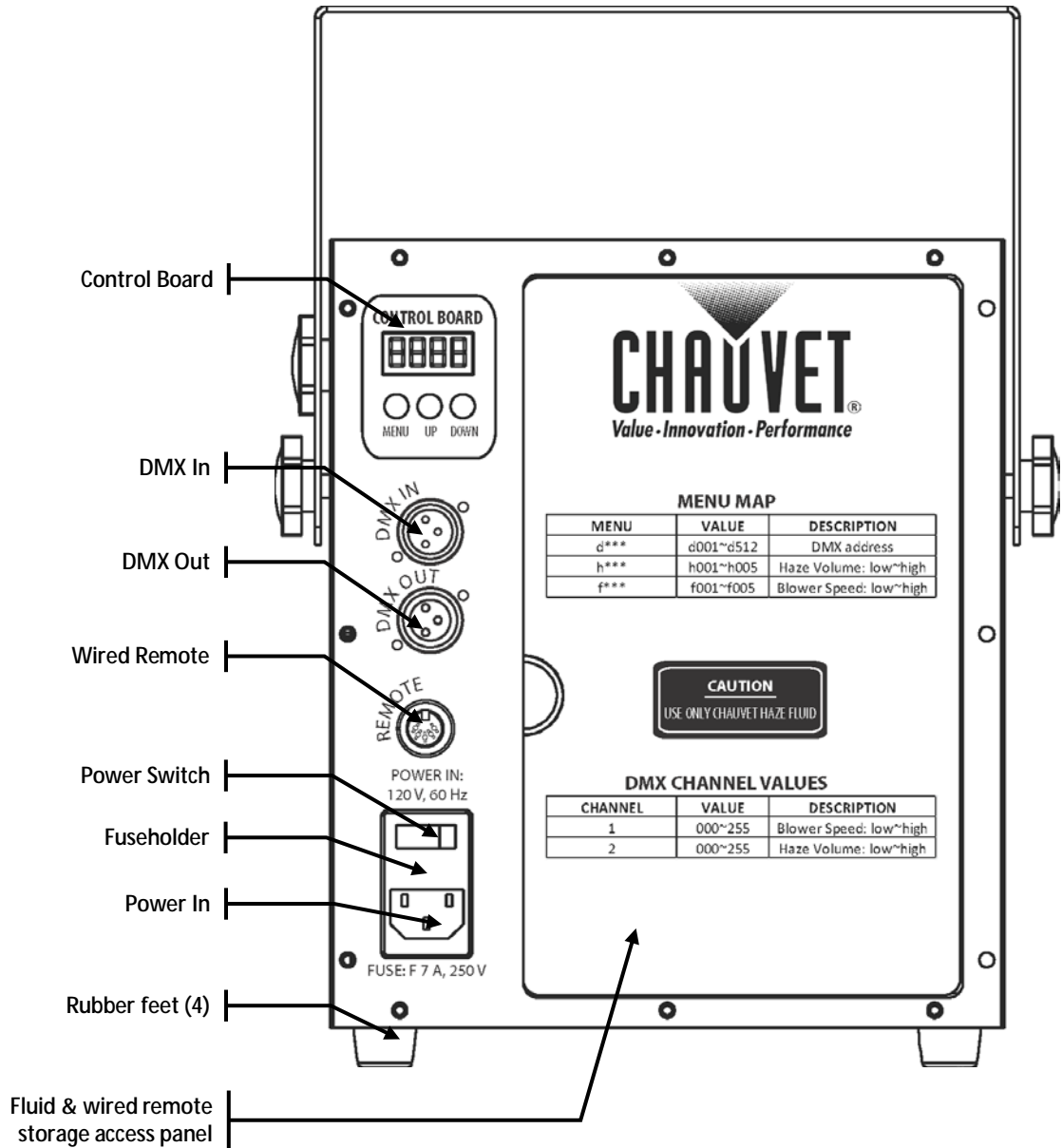
- Be sure that no ventilation slots on the unit's housing are blocked.
- Make sure to replace the fuse with another of the same type and rating.
- The maximum ambient temperature (Ta) is 104° F (40° C). Do not operate this product at higher temperatures.
- In the event of a serious operating problem, stop using the unit immediately.
- Never try to repair this product. Repairs carried out by unskilled people can lead to damage or malfunction. Please contact the nearest authorized technical assistance center.
- Never connect this product to a dimmer pack.
- Make sure there are no flammable materials close to the unit while operating.
- Depending on the amount of fog/haze generated, all fog machines may set off smoke detectors.
- Do not use for space heating purposes.



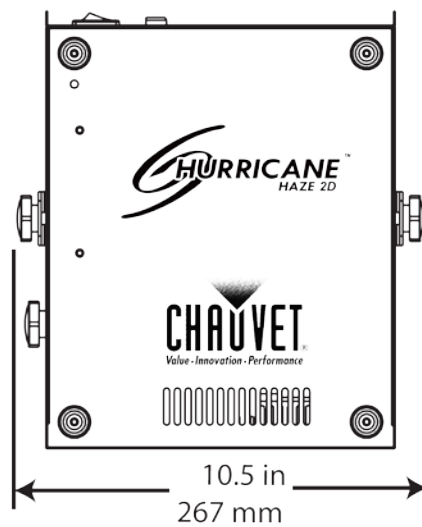
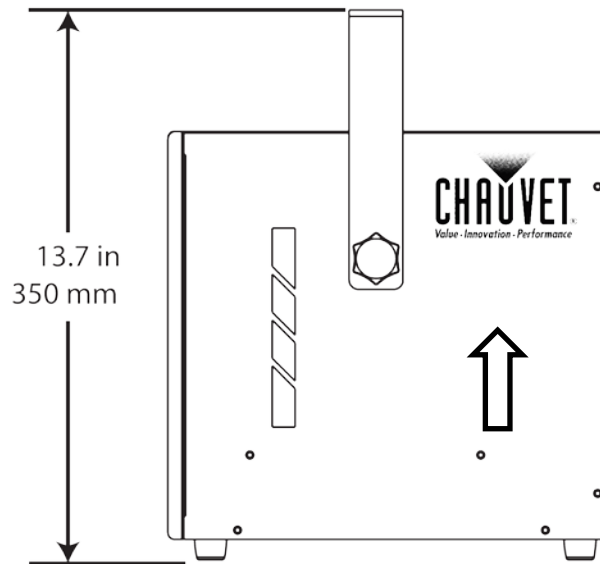
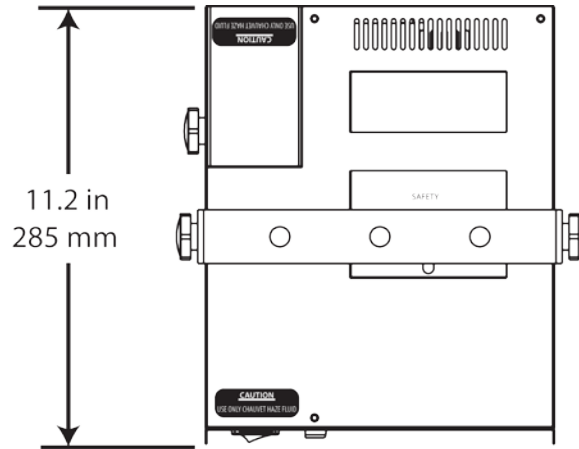
FCQ (Fog Cleaner Quart) was specifically developed by Chauvet to clean your Hurricane™ Haze 2D. Make sure you use FCQ regularly to increase the life of your product.

2. INTRODUCTION

Product Overview



Product Dimensions



3. SETUP

AC Power

This product can work with an input voltage of either 120 VAC, 60 Hz or 230 VAC, 50 Hz.

To determine the power requirements for a particular product, see the label affixed to the back plate of the product or refer to the product's specifications chart. The listed current rating indicates the product's average current draw under normal conditions.



Always connect this product to a protected circuit (circuit breaker or fuse), making sure that it has an appropriate electrical ground to avoid the risk of electrocution or fire.



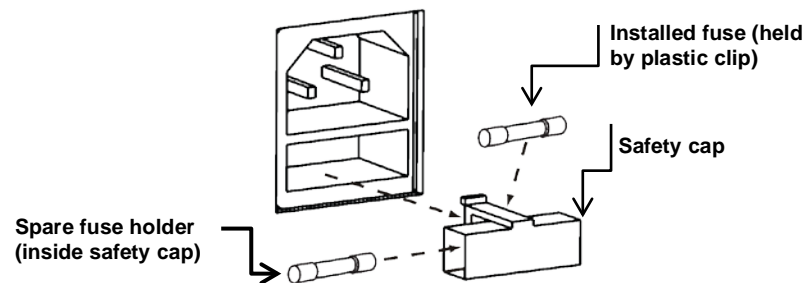
Never connect this product to a rheostat (variable resistor) or dimmer circuit, even if the rheostat or dimmer channel serves only as a 0 to 100% switch.

Fuse Replacement



Disconnect this product from the power outlet before replacing the fuse.

1. Wedge the tip of a flat-head screwdriver into the slot of the fuse holder.
2. Pry the fuse out of the housing.
3. Remove the blown fuse from the holder and replace with a fuse of the exact same type and rating.
4. Insert the fuse holder back in place and reconnect power.



The product does not ship with a spare fuse; however, the safety cap has room for a spare.

Mounting

Orientation The Hurricane™ Haze 2D may be mounted in any position provided there is adequate room for ventilation around it.

Rigging Be sure that the structure or surface onto which you are mounting this product can support its weight. Please see the “Technical Specifications” section of this manual for weight information.

Make sure to mount the product securely to a rigging point, whether an elevated platform or a truss.

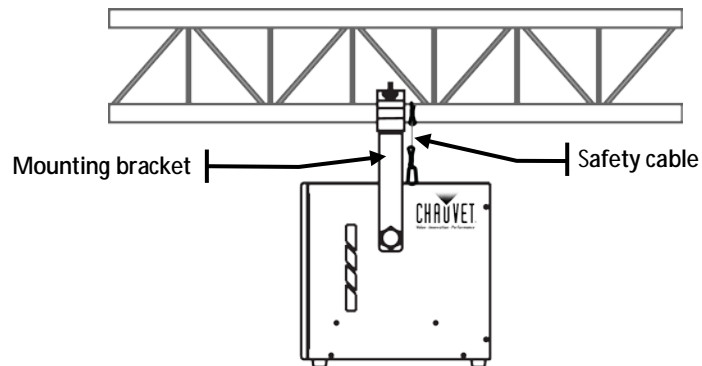
When rigging this product onto a truss, you should use a mounting clamp of appropriate weight capacity. The bracket has a 13 mm hole, which is appropriate for this purpose.

When mounting this product overhead, always use a safety cable.

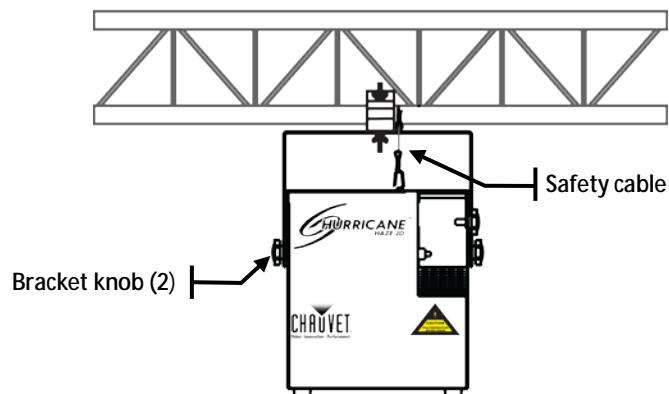
Before deciding on a location for this product, always make sure that it will be easy to access the unit for maintenance and programming purposes.

When power linking multiple products, you must always consider the length of the power linking cable and mount the products close enough for the cable to reach them.

The bracket knobs allow for directional adjustment when aiming the product to the desired angle. Only loosen or tighten the bracket knobs using your bare hands. Using tools could damage the knobs.



Mounting Diagram

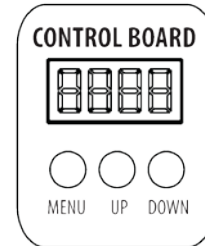


4. OPERATION

Control Panel Operation

To access the control panel functions, use the four buttons located underneath the display.

Button	Function
<MENU>	Press to scroll through the operating modes
<UP>	Press to find a higher value
<DOWN>	Press to find a lower value



Important note regarding the priority level for the three types of methods used to control the operation of your Hurricane™ Haze 2D.

If using the remote control and the digital display is touched, the digital display will take priority control. If using the digital display, and then connect the product to a DMX controller, the DMX will take priority control. The priority control levels are:

1. DMX
2. Digital display
3. Remote controller

Remote Operation

Important: Using the Control Board, set the Fan and Haze output to 0. You can then connect and operate the remote with the Hurricane™ Haze 2D.

Menu Map

Mode	Programming Steps		Description
DMX Mode	d***	001~512	Selects the DMX starting address
Manual Mode	Haze Volume	h001~h005	Low~high
	Blower Speed	f001~f005	Low~high

Configuration (DMX)

Set this product in DMX mode to control it with a DMX controller.

1. Connect this product to a suitable power outlet.
2. Turn this product on.
3. Connect a DMX cable from the DMX output of the DMX controller to the DMX input socket of this product.

Starting Address

The Hurricane™ Haze 2D has one DMX personality, a 2-channel mode for basic control.

The Hurricane™ Haze 2D uses up to two channels in its 2-channel DMX mode, which defines the highest configurable address to 511.

When selecting a starting DMX address, always consider the number of DMX channels the selected DMX mode uses. If you choose a starting address that is too high, you could restrict the access to some of the product's channels.

If you are not familiar with the DMX protocol, download the **DMX Primer** from www.chauvetlighting.com.

To select the starting address, do the following:

1. Press <MENU> repeatedly until d*** shows on the display.
2. Use <UP> or <DOWN> to select the starting address.

Configuration (Standalone Mode)

Set this product in one of the standalone modes to control it without a DMX controller.

1. Connect this product to a suitable power outlet.
2. Turn this product on.

Manual Mode



Never connect a product that is operating in any standalone mode, whether Static, Automatic, or Sound to a DMX string connected to a DMX controller. Products in standalone mode may transmit DMX signals that could interfere with the DMX signals from the controller.

To enable the Automatic Mode, follow the instructions below:

1. Press <MENU> repeatedly until **h***** shows on the display.
2. Use <UP> or <DOWN> to adjust the haze volume.
3. Press <MENU> repeatedly until **f***** shows on the display.
4. Use <UP> or <DOWN> to adjust the blower speed.

DMX Channel Assignments and Values

2-CH

Channel	Function	Value	Setting
1	Blower speed	000 ◊ 255	Low~high
2	Haze volume	000 ◊ 255	Low~high

5. TECHNICAL INFORMATION

General Maintenance

Do not allow the haze machine to become contaminated. After every 40 hours of continuous operation, use Chauvet® Fog Cleaner Quart (or a solution of 80% distilled water and 20% distilled vinegar) through the system to prevent the accumulation of particulate matter in the heating element is recommended.

The recommended cleaning regimen is as follows:

1. Empty all haze liquid from the machine.
2. Add cleaning solution to tank.
3. Plug unit in and allow it to warm up.
4. Run the unit in a well-ventilated area until the tank is almost empty. Do not allow the pump to run dry.
5. Cleaning is now complete. Refill with haze liquid. Run the machine briefly to clear any cleaning solution from the pump and heater.



Fog Cleaner Quart (FCQ) was specifically developed by Chauvet® to clean your Hurricane™ Haze 2D. Make sure you use FCQ regularly to increase the life of your product.

Storage

Before storing this product, FCQ through the system as described in the cleaning method above. This will help to avoid any particles condensing inside the pump or heater.

Test-run your Hurricane™ Haze 2D on a monthly basis to achieve the best performance.

General Troubleshooting

Symptom	Possible Cause	Possible Action
Circuit breaker or fuse keeps blowing	Excessive load on the circuit	Make sure that the total load does not exceed 80% of the breaker or fuse nominal current
	Short circuit along the power lines	Check the power lines and power cords
Product does not power up	No energy on power outlet	Check power outlet Change to another outlet
	Loose or damaged power cord	Check the power cord
	Blown fuse	Replace blown fuse with a good one of the same type and rating
	Internal problem	Send product for repair
Product does not respond to DMX	Wrong starting address on the product	Set the correct starting address on the product Use the right fader(s) on the controller
	Wrong DMX personality on the product	Set the correct DMX product's personality Assign the faders accordingly
	Wrong polarity setting on the DMX controller	Change the signal polarity on the controller
	Loose or damaged DMX cable	Check the DMX cable before the faulty unit
	Internal problem	Send product for repair
Intermittent DMX Problems	Signal cables are not DMX compatible	Replace non DMX cables with true DMX cables
	Interference with AC or radio signals	Keep DMX cables away from AC wires or radio equipment
	DMX cable too long	Install an optically coupled DMX amplifier right before the product with intermittent problems
	Too many products connected	Install an optically coupled DMX amplifier after unit #32
	Terminator not connected	Install a terminator, as indicated in the "DMX Primer" section.



If you still experience problems after trying the solutions presented here, contact CHAUVET® Technical Support.

Return Procedure

Send the merchandise prepaid, in the original box, with its original packing and accessories. CHAUVET® will not issue call tags.

Call CHAUVET® and request a Return Merchandise Authorization (RMA) number before shipping the product. Be prepared to provide the model number, serial number, and a brief description of the cause for the return.

Clearly label the package with a Return Merchandise Authorization (RMA) number. CHAUVET® will refuse any product returned without an RMA number.



DO NOT write the RMA number directly on the box. Instead, write it on a properly affixed label.

Once you have received the RMA number, please include the following information on a piece of paper inside the box:

- Your name
- Your address
- Your phone number
- RMA number
- A brief description of the problem

Be sure to pack the product properly. Any shipping damage resulting from inadequate packaging will be the customer's responsibility. Proper FedEx packing or double-boxing are recommended packaging methods.



CHAUVET® reserves the right to use its own discretion to repair or replace returned product(s).

Contact Us

World Headquarters

CHAUVET®

General Information

Address: 5200 NW 108th Avenue
Sunrise, FL 33351
Voice: (954) 577-4455
Fax: (954) 929-5560
Toll free: (800) 762-1084

Technical Support

Voice: (954) 577-4455 (Press 4)
Fax: (954) 756-8015
Email: tech@chauvetlighting.com

World Wide Web

www.chauvetlighting.com

United Kingdom & Ireland

CHAUVET® Europe Ltd.

General Information

Address: Unit 1C
Brookhill Road Industrial Estate
Pinxton, Nottingham, UK
NG16 6NT
Voice: +44 (0)1773 511115
Fax: +44 (0)1773 511110

Technical Support

Email: uktech@chauvetlighting.com

World Wide Web

www.chauvetlighting.co.uk

6. TECHNICAL SPECIFICATIONS

Dimensions and Weight	Length	Width	Height	Weight
	11.2 in (285 mm)	10.5 in (267 mm)	13.7 in (350 mm)	18.7 lbs (8.5 kg)

Note: Dimensions in inches rounded to the nearest decimal digit.

Power	Power Supply Type	Range	Voltage Selection
	Magnetic (internal)	120 V, 60 Hz or 230 V, 50 Hz	None (Fixed voltage)

Parameter	120 V, 60 Hz	230 V, 50 Hz
Consumption	533 W (4.4 A)	533 W (2.3 A)
Fuse size	F 7, 250 V	F 5, 250 V

Power I/O	Input
Connectors	IEC
Cord plug	Edison

Operation	Heat-up Time	Tank Capacity	Fluid Consumption
	5 min	2.5 L	8.2 ml / min

Fog output	Ft ³ / min (m ³ / min)
	1,200 (34)

Approved Fluids	Chauvet® Haze Fluid (Gallon)
	HFG

Thermal	Maximum External Temp.	Cooling System
	104° F (40° C)	Convection

DMX	I/O Connectors	Connector Type	Channel Range
	3-pin XLR	Sockets	2

Ordering	Product Name	Item Code	Item Number
	Hurricane™ Haze 2D	05070344	HURRICANEHAZE2D



UL 499
CSA C22.2 No. 64