

ELIMINATOR[®]

LIGHTING



Mini Par UV LED

User Guide

©2019 Eliminator Lighting all rights reserved. Information, specifications, diagrams, images, and instructions herein are subject to change without notice. Eliminator logo and identifying product names and numbers herein are trademarks of Eliminator Lighting. Copyright protection claimed includes all forms and matters of copyrightable materials and information now allowed by statutory or judicial law or hereinafter granted. Product names used in this document may be trademarks or registered trademarks of their respective companies and are hereby acknowledged. All non-Eliminator brands and product names are trademarks or registered trademarks of their respective companies.

Eliminator Lighting and all affiliated companies hereby disclaim any and all liabilities for property, equipment, building, and electrical damages, injuries to any persons, and direct or indirect economic loss associated with the use or reliance of any information contained within this document, and/or as a result of the improper, unsafe, insufficient and negligent assembly, installation, rigging, and operation of this product.

Eliminator Lighting USA

6122 S. Eastern Ave. | Los Angeles, CA 90040 USA

Tel: (323) 948-0480 | Fax: 888-287-5224 | www.eliminatorlighting.com | info@eliminatorlighting.com

CAUTION

**HIGH
INTENSITY
ULTRAVIOLET
LIGHT**



**AVOID DIRECT EYE & SKIN EXPOSURE.
WEAR PROPER EYE & SKIN PROTECTION.
SEE MANUAL FOR SAFETY INSTRUCTIONS.**

**RISK GROUP 3 - RISK OF EXPOSURE TO ULTRAVIOLET (UV) RADIATION!
FIXTURE EMITS HIGH INTENSITY WAVELENGTH OF ULTRAVIOLET LIGHT AT A
WAVELENGTH OF 396NM – 435NM.
WEAR PROPER EYE AND SKIN PROTECTION.
DO NOT OPERATE FIXTURE WITH DAMAGED/MISSING EXTERNAL COVER
PROTECTIVE LENS.
DO NOT LOOK DIRECTLY INTO THE (UV) LIGHT AND/OR VIEW (UV) LIGHT
DIRECTLY WITH OPTICAL INSTRUMENTS THAT MAY CONCENTRATE THE
LIGHT/RADIATION OUTPUT.
AVOID PROLONGED PERIODS OF EXPOSURE.**

AVOID WEARING WHITE COLOR CLOTHING AND/OR USING (UV) PAINTS ON SKIN.

AVOID DIRECT EYE AND/OR SKIN EXPOSURE AT DISTANCES SHORTER THAN 11 feet (3.3m).

**INDIVIDUALS SUFFERING FROM A RANGE OF EYE CONDITIONS, SUNLIGHT EXPOSURE DISORDERS, OR
INDIVIDUALS USING PHOTSENSITIVE MEDICATION, MAY RECEIVE DISCOMFORT IF EXPOSED TO THE
ULTRAVIOLET (UV) LIGHT EMITTED FROM THIS FIXTURE.**

DOCUMENT VERSION

An updated version of this document may be available online.

Please check www.eliminatorlighting.com for the latest revision/update of this document before beginning installation and use.

Date	Document Version	Notes
9/30/16	1	Updated release.
3/25/19	1	Updated manual layout.

CONTENTS

General Information	4
Limited Warranty (USA Only)	5
Safety Guidelines	6
Maintenance Guidelines	8
Overview	9
Installation Guidelines	10
System Menu	11
Operation	11
DMX Traits	13
Trouble Shooting and Frequently Asked Questions	14
Technical Specifications and Dimensions	15

GENERAL INFORMATION

INTRODUCTION

Please read and understand all instructions in this manual carefully and thoroughly before attempting to operate this product. These instructions contain important safety and use information.

UNPACKING: This product has been thoroughly tested and has been shipped in perfect condition. Carefully check the shipping carton for damage that may have occurred during shipping. If the carton appears to be damaged, carefully inspect your product for damage and be sure all accessories necessary to assemble the product have arrived intact. In the event damage has been found or parts are missing, please contact our customer support team for further instructions.

Please do not return this product to your dealer without first contacting customer support at the number listed below. Please do not discard the shipping carton in the trash. Please recycle whenever possible.

CUSTOMER SUPPORT

Tel: (323) 213-4592 | Fax: 888-287-5224 | www.eliminatorlighting.com | support@eliminatorlighting.com

WARRANTY RETURNS

All returned service items whether under warranty or not, must be freight pre-paid and accompany a return authorization (R.A.) number. The R.A. number must be clearly written on the outside of the return package. A brief description of the problem as well as the R.A. number must also be written down on a piece of paper and included in the shipping container. If the unit is under warranty, you must provide a copy of your proof of purchase invoice. Items returned without a R.A. number clearly marked on the outside of the package will be refused and returned at customer's expense. You may obtain a R.A. number by contacting customer support.

ELIMINATOR LIGHTING MANUFACTURER'S LIMITED WARRANTY (USA)

A. Eliminator Lighting, an ADJ Products, LLC brand, hereby warrants, to the original purchaser, ADJ Products, LLC products to be free of manufacturing defects in material and workmanship for a prescribed period from the date of purchase (see specific warranty period on reverse). This warranty shall be valid only if the product is purchased within the United States of America, including possessions and territories. It is the owner's responsibility to establish the date and place of purchase by acceptable evidence, at the time service is sought.

B. For warranty service you must obtain a Return Authorization number (RA#) before sending back the product, please contact ADJ Products, LLC Service Department at 800-322-6337. Send the product only to the ADJ Products, LLC factory. All shipping charges must be pre-paid. If the requested repairs or service (including parts replacement) are within the terms of this warranty, ADJ Products, LLC will pay return shipping charges only to a designated point within the United States. If the entire instrument is sent, it must be shipped in its original package. No accessories should be shipped with the product. If any accessories are shipped with the product, ADJ Products, LLC shall have no liability whatsoever for loss of or damage to any such accessories, or for the safe return thereof.

C. This warranty is void if the serial number has been altered or removed; if the product is modified in any manner which ADJ Products, LLC concludes, after inspection, affects the reliability of the product; if the product has been repaired or serviced by anyone other than the ADJ Products, LLC factory unless prior written authorization was issued to purchaser by ADJ Products, LLC; if the product is damaged because not properly maintained as set forth in the instruction manual.

D. This is not a service contract, and this warranty does not include maintenance, cleaning or periodic check-up. During the period specified above, ADJ Products, LLC will replace defective parts at its expense with new or refurbished parts, and will absorb all expenses for warranty service and repair labor by reason of defects in material or workmanship. The sole responsibility of ADJ Products, LLC under this warranty shall be limited to the repair of the product, or replacement thereof, including parts, at the sole discretion of ADJ Products, LLC. All products covered by this warranty were manufactured after August 15, 2012, and bear identifying marks to that effect.

E. ADJ Products, LLC reserves the right to make changes in design and/or improvements upon its products without any obligation to include these changes in any products theretofore manufactured. No warranty, whether expressed or implied, is given or made with respect to any accessory supplied with products described above. Except to the extent prohibited by applicable law, all implied warranties made by ADJ Products, LLC in connection with this product, including warranties of merchantability or fitness, are limited in duration to the warranty period set forth above. And no warranties, whether expressed or implied, including warranties of merchantability or fitness, shall apply to this product after said period has expired. The consumer's and/or Dealer's sole remedy shall be such repair or replacement as is expressly provided above; and under no circumstances shall ADJ Products, LLC be liable for any loss or damage, direct or consequential, arising out of the use of, or inability to use, this product.

This warranty is the only written warranty applicable to Eliminator Lighting, an ADJ Products, LLC brand, and supersedes all prior warranties and written descriptions of warranty terms and conditions heretofore published.

MANUFACTURER'S LIMITED WARRANTY PERIODS:

All Eliminator Lighting products (except laser diodes) = 1-year (365 days) Limited Warranty (Such as: Special Effect Lighting, Intelligent Lighting, UV lighting, Strobes, Fog Machines, Bubble Machines, Mirror Balls, Par Cans, Trussing, Lighting Stands etc., excluding lamps)

Laser Products = 1 Year (365 Days) Limited Warranty (excluding laser diodes which have a 6 month limited warranty)

Batteries = 180 Day Limited Warranty

To register your Eliminator Lighting product online, please click here to the ADJ Warranty Registration Page:
<https://www.adj.com/portal/user/register/>

SAFETY GUIDELINES

To guarantee a smooth operation, it is important to follow all instructions and guidelines in this manual. **ELIMINATOR LIGHTING** is not responsible for injury and/or damages resulting from the misuse of these devices due to the disregard of the information printed in this manual. Only qualified and/or certified personnel should perform installation of these devices and only the original rigging parts included with these devices should be used for installation. Any modifications to these devices and/or the included mounting hardware will void the original manufactures warranty and increase the risk of damage and/or personal injury.



THERE ARE NO USER SERVICEABLE PARTS INSIDE THIS DEVICE. DO NOT ATTEMPT ANY REPAIRS YOURSELF; DOING SO WILL VOID YOUR MANUFACTURES WARRANTY. DAMAGES RESULTING FROM MODIFICATIONS TO THIS DEVICE AND/OR THE DISREGARD OF SAFETY INSTRUCTIONS AND GUIDELINES IN THIS MANUAL VOID THE MANUFACTURES WARRANTY AND ARE NOT SUBJECT TO ANY WARRANTY CLAIMS AND/OR REPAIRS.



**NEVER TOUCH LIGHT DURING OPERATION, AS IT MAY BE HOT!
ALWAYS DISCCONNECT FROM THE MAIN POWER BEFORE REPLACING LAMPS!
ALWAYS REPLACE WITH SAME LAMPS AND FUSES!
KEEP FLAMMABLE MATERIALS AWAY FROM THESE DEVICES!**



**INDOOR / DRY LOCATIONS USE ONLY!
DO NOT EXPOSE DEVICES TO RAIN AND/OR MOISTURE!**



**NEVER LOOK DIRECTLY INTO THE LIGHT SOURCE!
RETINA INJURY RISK - MAY INDUCE BLINDNESS!
SENSITIVE PERSONS MAY SUFFER AN EPILEPTIC SHOCK!**

SAFETY GUIDELINES

DO NOT position devices close to any **FLAMMABLE MATERIALS** while operating.

DO NOT attempt installation and/or operation of devices without knowledge how to do so.

DO NOT permit operation by persons who are not qualified to operate these types of devices.

DO NOT shake devices, avoid brute force when installing and/or operating.

DO NOT operate these devices if the main power cord has become frayed, crimped and/or damaged. Replace any damaged power cords with a similar power rating.

DO NOT remove or break-off the ground plug from the device power cords.

DO NOT remove disassemble devices, there are NO user serviceable parts inside.

ALWAYS disconnect devices from main power source before performing any cleaning.

ALWAYS disconnect light from main power before replacing lamp.

ALWAYS be sure to install these devices in an area that will allow proper ventilation.

NEVER remove the ground prong from the power cable.

Power cords should be safely routed and secured so they are not likely pinched.

Disconnect power cords during long periods of non-use.

Only use recommended rigging hardware as described in this guide.

Use the original packaging and materials to transport these devices in for service.

These devices should be serviced by qualified service personnel when:

- The power cords or plugs have become damaged.
- Objects have fallen on and/or liquid has spilled into the devices.
- The devices have been exposed to rain and/or moisture.
- The devices do not operate normally or exhibit a marked change in performance.

MAINTENANCE GUIDELINES



DISCONNECT POWER BEFORE PERFORMING ANY MAINTENANCE!

CLEANING

Frequent cleaning is recommended to insure proper function, optimized light output, and an extended life. The frequency of cleaning depends on the environment in which the device operates in: damp, smoky or particularly dirty environments can cause greater accumulation of dirt on the fixture housing and/or light fixture optics. Clean the external surface and the front lens of the light at least every 20 days with a soft cloth to avoid dirt/debris accumulation

NEVER use alcohol, solvents, or ammonia-based cleaners.

MAINTENANCE

Regular inspections are recommended to insure proper function and extended life. There are no user serviceable parts inside these devices, please refer all other service issues to Eliminator Lighting. Should you need any spare parts, please order genuine parts from Eliminator Lighting.

Please refer to the following points during routine inspections:

A detailed review by an approved electrical engineer every three months, to make sure the circuit contacts are in good condition and prevent overheating.

Be sure all screws and fasteners are securely tightened at all times. Loose screws may fall out during normal operation resulting in damage or injury as larger parts could fall.

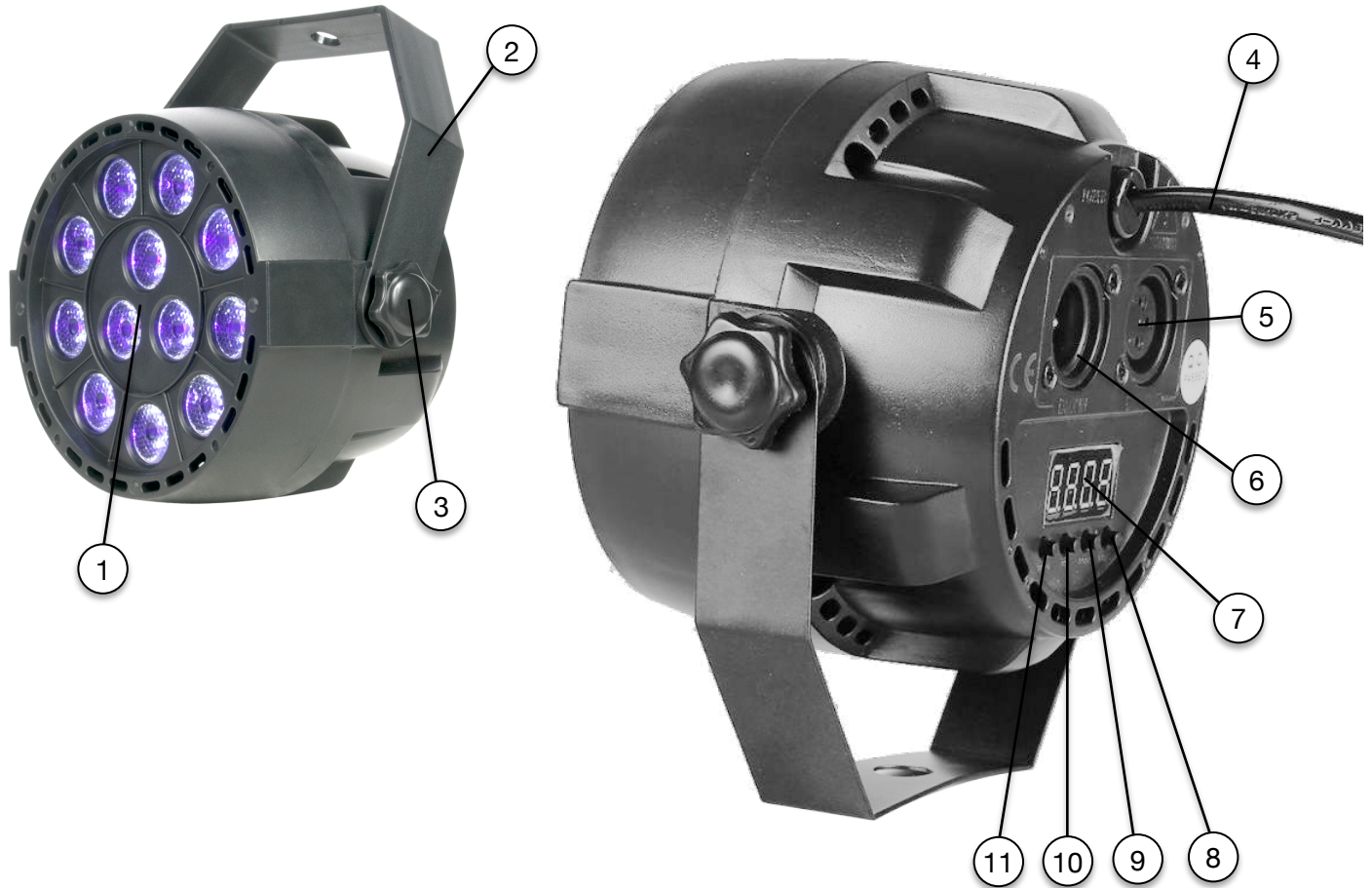
Check for any deformations on the light housing, lens, gel frame, rigging hardware and rigging points (ceiling, suspension, trussing). Deformations could allow for dust to enter into the devices. Damaged rigging points or unsecured rigging could cause the devices to fall and seriously injure a person(s).

Electric power supply cables must not show any damage, material fatigue or sediments.

OVERVIEW

INCLUDED ITEMS

(1) Mini Par UV LED



1. Mini Par UV LED

2. Yoke

3. Star Knob (2)

4. Power Cable

5. DMX Out

6. DMX In

7. LCD Display

8. Enter Button

9. Down Button

10. Up Button

11. Menu Button

INSTALLATION INSTRUCTIONS



FLAMMABLE MATERIAL WARNING

Keep devices minimum 5.0 feet (1.5m) away from flammable materials and/or pyrotechnics.



ELECTRICAL CONNECTIONS

A qualified electrician should be used for all electrical connections and/or installations.



DO NOT INSTALL THE DEVICES IF YOU ARE NOT QUALIFIED TO DO SO!

OVERHEAD RIGGING REQUIRES EXTENSIVE EXPERIENCE, INCLUDING AMONGST OTHERS CALCULATING WORKING LOAD LIMITS, INSTALLATION MATERIAL BEING USED, AND PERIODIC SAFETY INSPECTION OF ALL INSTALLATION MATERIAL AND THE MOTOR. IF YOU LACK THESE QUALIFICATIONS, DO NOT ATTEMPT THE INSTALLATION YOURSELF. IMPROPER INSTALLATION CAN RESULT IN BODILY INJURY.

BEFORE RIGGING/MOUNTING DEVICES TO ANY METAL TRUSS/STRUCTURE OR CEILING, A PROFESSIONAL EQUIPMENT INSTALLER MUST BE CONSULTED TO DETERMINE IF THE METAL TRUSS/STRUCTURE OR CEILING IS PROPERLY CERTIFIED TO SAFELY HOLD THE COMBINED WEIGHT OF THE LIGHT FIXTURE¹, CLAMPS, CABLES, AND ACCESSORIES.

BEFORE MOUNTING DEVICES TO ANY SURFACE OR STRUCTURE, MAKE SURE THE SURFACE OR STRUCTURE CAN HOLD A MINIMUM POINT LOAD OF 10 TIMES THE WEIGHT OF THE DEVICES.

MAKE SURE SCREWS AND/OR ANCHOR BOLTS (NOT INCLUDED) FIT INTO MOUNTING HOLES!

FOR ADDED PROTECTION, MOUNT DEVICES IN AREAS OUTSIDE WALKING PATHS, SEATING AREAS, OR IN AREAS WHERE UNAUTHORIZED PERSONNEL CAN REACH THE DEVICES.

SECURE FIXTURE WITH A SECONDARY SAFETY ATTACHMENT, SUCH AS AN APPROPRIATE SAFETY CABLE. (NOT INCLUDED)

NEVER STAND DIRECTLY BELOW THE DEVICES WHEN MOUNTING, REMOVING OR SERVICING.

DEVICES MUST ALL BE INSTALLED FOLLOWING ALL LOCAL, NATIONAL, AND COUNTRY COMMERCIAL ELECTRICAL AND CONSTRUCTION CODES AND REGULATIONS.

INSTALLATION

The unit should be mounted using a mounting clamp (not provided), affixing it to the mounting bracket that is provided with the unit. Always ensure that the unit is firmly fixed to avoid vibration and slipping while operating. Always ensure that the structure to which you are attaching the unit is secure and is able to support a weight of 10 times the unit's weight. Also, always use a safety cable that can hold 12 times the weight of the unit when installing the fixture.

The equipment must be installed by a professional and it must be installed in a place where it is out of the reach of people's grasp.

Ensure ALL connections and end caps are properly sealed with nonconductive dielectric grease (available at most electrical suppliers) to prevent water ingress/condensation and/or corrosion.

SYSTEM MENU

Menu	Submenu	Channels	Operating Mode
Addr	A.001-512	4/6/8-Ch	DMX address/channel mode
ASC-	AS.00-12		Jump change mode/speed
ACC-	AC.00-12		Pulse change mode/speed
FAde	FA.00-12		Fade change/speed
SOUF	SF.00-12		Pulse change sound control/sensitiveness
rL--	rL.00-12		UV brightness adjustable
gL--	gL.00-12		UV brightness adjustable
bL--	bL.00-12		UV brightness adjustable
uL--	uL.00-12		UV brightness adjustable
FLAS	FL.00-12		Strobe speed

OPERATION

DMX Mode: This function will allow you to control each individual fixture's traits with a standard DMX 512 controller. Operating through a DMX controller gives the user the freedom to create their own programs tailored to their own individual needs. The Mini Par UV LED has 3 DMX channel modes; 4/6/8 channels. See the chart below for the DMX traits and values.

1. To run your fixture in DMX mode press the MENU or UP and DOWN buttons until "Addr" is displayed and press ENTER. "A.XXX" will now be displayed. "XXX" represents the current displayed address. Use the UP or DOWN buttons to select your desired DMX address.
2. Press ENTER again to select your desired DMX channel mode. Use the UP and DOWN buttons to find your desired DMX channel mode.
3. After you have chosen your desired DMX address and DMX channel mode, press ENTER and plug in the fixture via the XLR connections to any standard DMX controller.

Jump Change Mode:

1. Plug the fixture in and press the MENU or UP and DOWN buttons until "ASC -" is displayed.
2. Press the ENTER button to adjust the Jump speed. Use the UP and DOWN buttons to adjust the speed.
3. The speed can be adjusted between "AS.00" (slowest) to "AS.12" (fastest).
4. After you have adjusted the program speed you can activate strobing by pressing the MENU button until "FLAS" is displayed and press ENTER. The Flash can be adjusted between "FL.00" (flash off) to "FL.12" (fastest flash).

OPERATION

Pulse Change Mode:

1. Plug the fixture in and press the MENU or UP and DOWN buttons until “ACC -” is displayed.
2. Press the ENTER button to adjust the Pulse speed. Use the UP and DOWN buttons to adjust the speed.
3. The speed can be adjusted between “AC.00” (slowest) to “AC.12” (fastest).
4. After you have adjusted the pulse speed you can activate strobing by pressing the MENU button until “FLAS” is displayed and press ENTER. The Flash can be adjusted between “FL.00” (flash off) to “FL.12” (fastest flash).

Fade Mode:

1. Plug the fixture in and press the MENU or UP and DOWN buttons until “FAde” is displayed.
2. Press the ENTER button to adjust the Fade speed. Use the UP and DOWN buttons to adjust the speed.
3. The speed can be adjusted between “FA.00” (slowest) to “FA.12” (fastest).
4. After you have adjusted the program speed you can activate strobing by pressing the MENU button until “FLAS” is displayed and press ENTER. The Flash can be adjusted between “FL.00” (flash off) to “FL.12” (fastest flash).

Sound Active Pulse Mode:

1. Plug the fixture in and press the MENU or UP and DOWN buttons until “SOUF” is displayed.
2. Press the ENTER button to adjust the sound sensitivity. Use the UP and DOWN buttons to adjust the sensitivity. The sensitivity can be adjusted between “SF.00” (least sensitive) to “SF.12” (most sensitive).
3. After you have adjusted the sensitivity you can activate strobing by pressing the MENU button until “FLAS” is displayed and press ENTER. The Flash can be adjusted between “FL.00” (flash off) to “FL.12” (fastest flash).

UV Dimmer Mode:

1. Plug the fixture in and press the MENU or UP and DOWN buttons until “rL”, “gL”, “bL”, or “uL” is displayed, and press ENTER.
2. Use the UP and DOWN buttons to adjust the output intensity. When you are finished adjusting, press ENTER.
3. After you have adjusted the colors you can activate strobing by pressing the MENU button until “FLAS” is displayed and press ENTER. The Flash can be adjusted between “FL.00” (flash off) to “FL.12” (fastest flash).

DMX TRAITS

DMX CHANNELS / VALUES / FUNCTIONS				
Channel Mode (4,6 or 8) / Channel			Value	Function
4 Channels	6 Channels	8 Channels		
	Channel 1	Channel 1	0-255	Dimmer
Channel 1			0-255	UV
Channel 2	Channel 2	Channel 2	0-255	UV
Channel 3	Channel 3	Channel 3	0-255	UV
Channel 4	Channel 4	Channel 4	0-255	UV
	Channel 5	Channel 5	0-255	UV
	Channel 6		0-5	No Function
			6-255	Flash (Slow to Fast)
		Channel 6	0-15	No Function
			16-75	ASC-
			76-135	ACC-
			136-195	FAde
			196-255	SOUF
		Channel 7	0-255	Speed/Sensitivity (SOUF)
		Channel 8	0-5	No Function
			6-255	Flash (Slow to Fast)

TROUBLE SHOOTING TIPS

The light does not turn ON

1. Confirm the AC power cord from the light is not damaged or cut.
2. Check if circuit breaker that controls the AC outlet that the light is plugged into is not tripped.
3. Confirm the power connection is not loose.
4. If none of these solutions work, please contact Eliminator Lighting Customer Service.

The unit is not responding to DMX.

1. Check that the DMX cables are connected properly and are wired correctly.
2. Check that all cables are connected to the right connectors.

FREQUENTLY ASKED QUESTIONS

Listed below are a few answers to common questions users may have.

1. Is there a fuse? Can it be replaced?

There is no replaceable fuse.

2. Is there a mini par with UV and white light?

Yes, the Mini Par UVW LED is available and can be purchased from www.adj.com

OPTIONAL ACCESSORIES

Order Code	Description
PWR793	Power Bar with six 3-prong Edison sockets.
PWR571	POW-R BAR65 utility block w/ surge protected AC sockets and USB.
AC3PDMX3	3-Foot 3-Pin male to female DMX Cable*
LTS-6	Collapsible Tripod with T-Bar for hanging lighting fixtures.

* Additional lengths available at www.adj.com

TECHNICAL SPECIFICATIONS

Model: Mini Par UV LED

Voltage: 100V ~ 240V 50/60Hz

LEDs: 12 x 1W UV LEDs

UV Range: 396-435nm

Beam Angle: 25 Degrees

Power Consumption: 14W

Working Position: Any Safe Position

Duty Cycle: None

DMX Channels: 3 DMX Channel Modes (4, 6 and 8 Channel Mode)

Colors: UV

Dimensions (LxWxH): 3.74" x 5.71" x 6.02" (95mm x 145mm x 153mm)

Weight: 1lbs / 0.5kgs

Specifications subject to change without any prior written notice.

DIMENSIONS

