



PAR Z100 3K

The Par Z100 3K is a modern LED twist to the traditional halogen Par Can. It is powered by a potent 100W warm white C.O.B. (Chip On Board) LED with a color temperature of 3000K. Its output is comparable to a 1000W halogen sealed beam Par. It is equipped with 5 different beam angle options that may be changed by hand. powerCON In/Out allows for the fixture to be daisy chained, while 5-pin DMX control offers a variable strobe rate and 5 different dimming curve options.

The Par Z100 3K allows lighting and stage designers the look of the traditional stage par with the technological conveniences of modern day lighting. The advantages include low power draw, fixture and performers won't get hot on stage, DMX control of dimming and strobe. There are no dimmer controllers need. The fixture comes with a gel frame in which diffusion filters may be inserted to further change the beam angle.

Technical Information:

Optical:

- 100 Watt COB Warm White LED (3000K)
- Life expectancy: rated at 50,000 hrs.
- LUX: 7135 (9°); 4440 (15°); 2236 (20°); 1266 (25°); 812 (30°)
- CRI: 90
- Beam angle: 9, 15, 20, 25 Or 30-degree (manual adjustment)
- PWM frequency: 1200Hz

UPC: PAR829 SKU: 818651020922

Connection:

- DMX: 5-pin DMX In/Out
- powerCON In/Out to power battery or daisy chain fixture

Control:

- Control protocol: DMX-512
- 2 DMX Channels

Features:

- 4-button DMX menu display on rear panel
- Adjustable latch to manually change beam angle
- Includes gel frame for diffusion filters (Diffusion filter sold separately)
- Strobe effect (25Hz max)
- Flicker Free Operation
- Electronic Dimming: 0 - 100% with 5 dimming curves
- Run all night - No duty cycle

Electrical:

- Power Draw Total (All LED's @ Full On): 115W, 0.964A @ 120V/60Hz, 112W, 0.5A @ 220V/50Hz
- Multi-voltage operation: AC 100-240V, 50/60Hz
- Daisy chain: 15 fixtures (120V); 25 fixtures (230V)

Dimensions / Weight:

- Dimensions (LxWxH): 19.5" x 10.75" x 10.75" / 491 x 272 x 273mm
- Weight: 7.5 lbs. / 3.4kg.

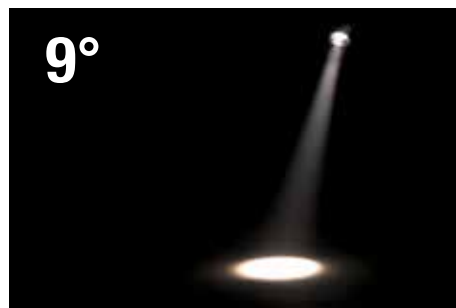
Specifications subject to change



Beam Angle Manual Adjustment



Beam Angle





PHOTOMETRICS

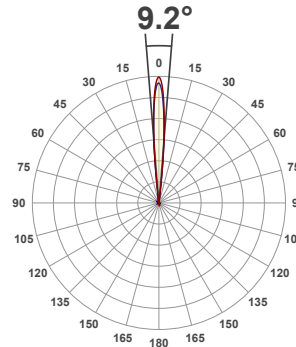
Light efficiency:



Light quality:



Color temperature:



Product name:
Par Z100 3K

Test:

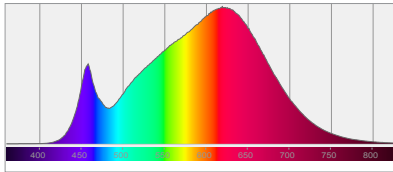
9deg

Date:

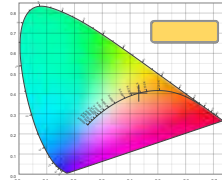
10/2/2017

Output: 3992 lm Power consumption: 102 W Peak: 178487 cd

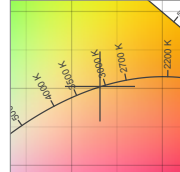
Spectral distribution



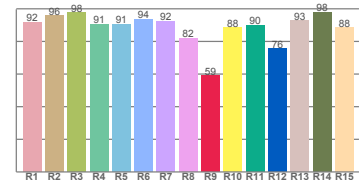
Color coordinates



Zoom color point

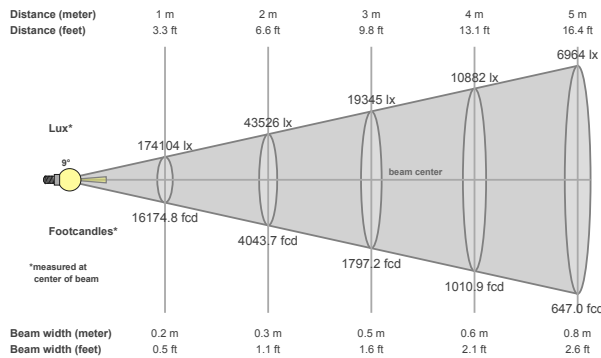


CRI R values



Color temperature	Color rendering index	Red component	Color fidelity	Color gamut	Color quality scale	Color coordinate cie 1931	Color coordinate cie 1931	Color coordinate	Color coordinate	Color deviation from black body
CCT	CRI	CRI R9	TM30 Rf	TM30 Rg	CQS	x	y	u	v	Δuv
3089 K	91.8	59.0	88.9	97.7	89.8	0.431	0.403	0.248	0.347	0.0002

Beam details



Beam angels

Beam angle 50%	Field angle 10%	Cutoff angle 2,5%
9.2°	13.1°	14.5°

Beam intensities

Peak intensity	Int. ratio in 120° cone	Int. ratio in 90° cone
178487 cd	97.7%	96.8%

Power

Power	Power factor	Power frequency
102 W	0.99	60 Hz

Nominal voltage	Voltage	Current
230 V	116 V	0.888 A

Beam intensities from 1-20m

1m	2m	3m	4m	5m	6m	7m	8m	9m	10m	11m	12m	13m	14m	15m	16m	17m	18m	19m	20m
3.3ft	6.6ft	9.8ft	13.1ft	16.4ft	19.7ft	23ft	26.2ft	29.5ft	32.8ft	36.1ft	39.4ft	42.7ft	45.9ft	49.2ft	52.5ft	55.8ft	59.1ft	62.3ft	65.6ft
174104lx	43526lx	19345lx	10882lx	6964lx	4836lx	3553lx	2720lx	2149lx	1741lx	1439lx	1209lx	1030lx	888lx	774lx	680lx	602lx	537lx	482lx	435lx
16174.8 fcd	4043.7 fcd	1797.2 fcd	1010.9 fcd	647 fcd	449.3 fcd	330.1 fcd	252.7 fcd	199.7 fcd	161.7 fcd	133.7 fcd	112.3 fcd	95.7 fcd	82.5 fcd	71.9 fcd	63.2 fcd	56 fcd	49.9 fcd	44.8 fcd	40.4 fcd



PHOTOMETRICS

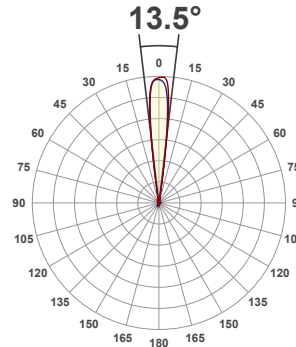
Light efficiency:



Light quality:



Color temperature:



Product name:
Par Z100 3K

Test:
15deg

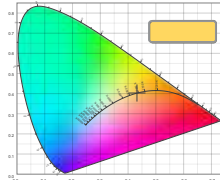
Date:
10/2/2017

Output: 4458 lm Power consumption: 102 W Peak: 96706 cd

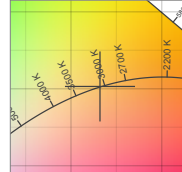
Spectral distribution



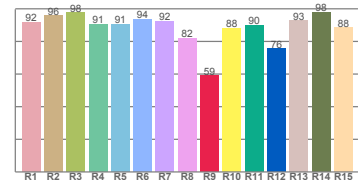
Color coordinates



Zoom color point

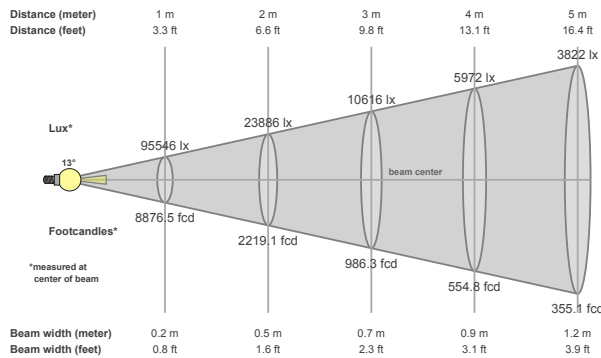


CRI R values



Color temperature	Color rendering index	Red component	Color fidelity	Color gamut	Color quality scale	Color coordinate cie 1931	Color coordinate cie 1931	Color coordinate	Color coordinate	Color deviation from black body
CCT	CRI	CRI R9	TM30 Rf	TM30 Rg	CQS	x	y	u	v	Δuv
3081 K	91.8	59.0	88.9	97.7	89.8	0.432	0.403	0.248	0.347	0.0003

Beam details



Beam angles

Beam angle 50%	Field angle 10%	Cutoff angle 2,5%
13.5°	17.5°	19.7°

Beam intensities

Peak intensity	Int. ratio in 120° cone	Int. ratio in 90° cone
96706 cd	98.5%	98.0%

Power

Power	Power factor	Power frequency
102 W	0.99	60 Hz

Nominal voltage	Voltage	Current
230 V	115 V	0.886 A

Beam intensities from 1-20m

1m	2m	3m	4m	5m	6m	7m	8m	9m	10m	11m	12m	13m	14m	15m	16m	17m	18m	19m	20m
3.3ft	6.6ft	9.8ft	13.1ft	16.4ft	19.7ft	23ft	26.2ft	29.5ft	32.8ft	36.1ft	39.4ft	42.7ft	45.9ft	49.2ft	52.5ft	55.8ft	59.1ft	62.3ft	65.6ft
95546lx	23886lx	10616lx	5972lx	3822lx	2654lx	1950lx	1493lx	1180lx	955lx	790lx	664lx	565lx	487lx	425lx	373lx	331lx	295lx	265lx	239lx
8876.5fcd	2219.1fcd	986.3fcd	554.8fcd	355.1fcd	246.6fcd	181.2fcd	138.7fcd	109.6fcd	88.8fcd	73.4fcd	61.6fcd	52.5fcd	45.3fcd	39.5fcd	34.7fcd	30.7fcd	27.4fcd	24.6fcd	22.2fcd



PHOTOMETRICS

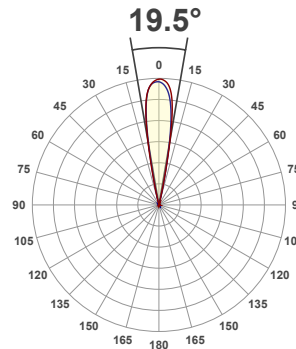
Light efficiency:



Light quality:



Color temperature:



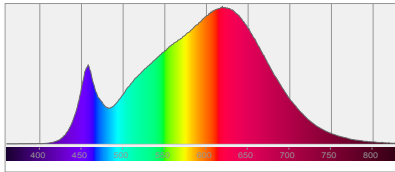
Product name:
Par Z100 3K

Test:
20deg

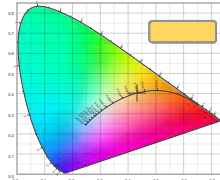
Date:
10/2/2017

Output: 4602 lm Power consumption: 99.5 W Peak: 48580 cd

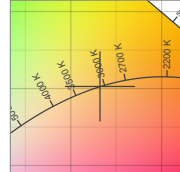
Spectral distribution



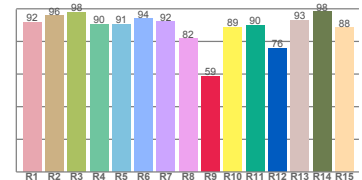
Color coordinates



Zoom color point

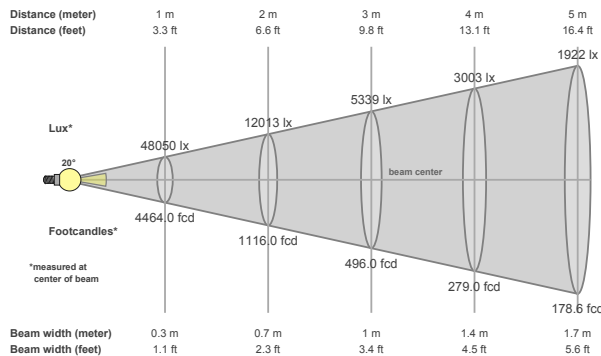


CRI R values



Color temperature	Color rendering index	Red component	Color fidelity	Color gamut	Color quality scale	Color coordinate cie 1931	Color coordinate cie 1931	Color coordinate	Color coordinate	Color deviation from black body
CCT	CRI	CRI R9	TM30 Rf	TM30 Rg	CQS	x	y	u	v	Δuv
3075 K	91.8	58.7	88.8	97.6	89.7	0.432	0.403	0.248	0.347	0.0002

Beam details



Beam angels

Beam angle 50%	Field angle 10%	Cutoff angle 2,5%
19.5°	25.4°	28.4°

Beam intensities

Peak intensity	Int. ratio in 120° cone	Int. ratio in 90° cone
48580 cd	98.4%	98.0%

Power

Power	Power factor	Power frequency
99.5 W	0.99	60 Hz

Nominal voltage	Voltage	Current
230 V	114 V	0.880 A

Beam intensities from 1-20m

1m	2m	3m	4m	5m	6m	7m	8m	9m	10m	11m	12m	13m	14m	15m	16m	17m	18m	19m	20m
3.3ft	6.6ft	9.8ft	13.1ft	16.4ft	19.7ft	23ft	26.2ft	29.5ft	32.8ft	36.1ft	39.4ft	42.7ft	45.9ft	49.2ft	52.5ft	55.8ft	59.1ft	62.3ft	65.6ft
48050lx	12013lx	5339lx	3003lx	1922lx	1335lx	981lx	751lx	593lx	481lx	397lx	334lx	284lx	245lx	214lx	188lx	166lx	148lx	133lx	120lx
4464fcd	1116fcd	496fcd	279fcd	178.6fcd	124fcd	91.1fcd	69.7fcd	55.1fcd	44.6fcd	36.9fcd	31fcd	26.4fcd	22.8fcd	19.8fcd	17.4fcd	15.4fcd	13.8fcd	12.4fcd	11.2fcd



PHOTOMETRICS

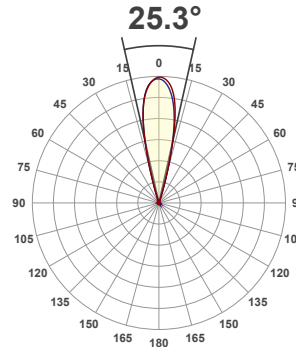
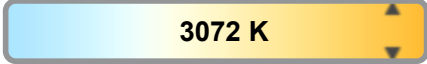
Light efficiency:



Light quality:



Color temperature:



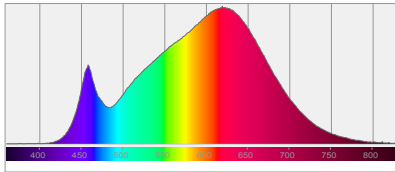
Product name:
Par Z100 3K

Test:
25deg

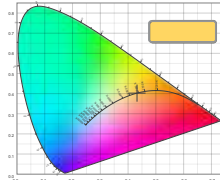
Date:
10/2/2017

Output: 4576 lm Power consumption: 99.6 W Peak: 28427 cd

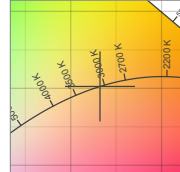
Spectral distribution



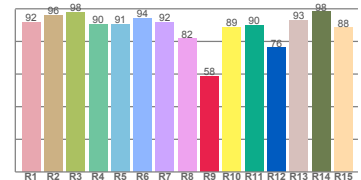
Color coordinates



Zoom color point

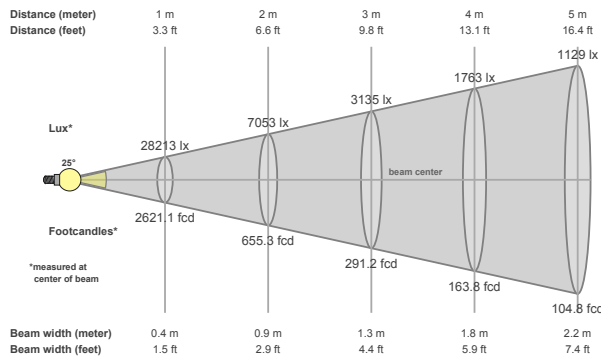


CRI R values



Color temperature	Color rendering index	Red component	Color fidelity	Color gamut	Color quality scale	Color coordinate cie 1931	Color coordinate cie 1931	Color coordinate	Color coordinate	Color deviation from black body
CCT	CRI	CRI R9	TM30 Rf	TM30 Rg	CQS	x	y	u	v	Δuv
3072 K	91.8	58.5	88.7	97.5	89.6	0.432	0.402	0.248	0.347	0.0001

Beam details



Beam angles

Beam angle 50%	Field angle 10%	Cutoff angle 2,5%
25.3°	34.2°	37.9°

Beam intensities

Peak intensity	Int. ratio in 120° cone	Int. ratio in 90° cone
28427 cd	98.0%	97.7%

Power

Power	Power factor	Power frequency
99.6 W	0.99	60 Hz

Nominal voltage	Voltage	Current
230 V	116 V	0.866 A

Beam intensities from 1-20m

1m	2m	3m	4m	5m	6m	7m	8m	9m	10m	11m	12m	13m	14m	15m	16m	17m	18m	19m	20m
3.3ft	6.6ft	9.8ft	13.1ft	16.4ft	19.7ft	23ft	26.2ft	29.5ft	32.8ft	36.1ft	39.4ft	42.7ft	45.9ft	49.2ft	52.5ft	55.8ft	59.1ft	62.3ft	65.6ft
28213lx	7053lx	3135lx	1763lx	1129lx	784lx	576lx	441lx	348lx	282lx	233lx	196lx	167lx	144lx	125lx	110lx	98lx	87lx	78lx	71lx
2621.1fcd	655.3fcd	291.2fcd	163.8fcd	104.8fcd	72.8fcd	53.5fcd	41fcd	32.4fcd	26.2fcd	21.7fcd	18.2fcd	15.5fcd	13.4fcd	11.6fcd	10.2fcd	9.1fcd	8.1fcd	7.3fcd	6.6fcd



PHOTOMETRICS

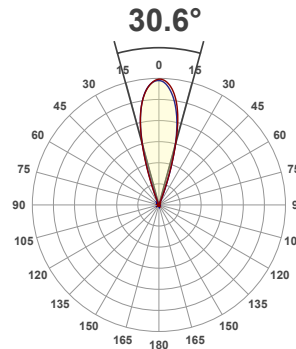
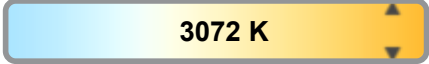
Light efficiency:



Light quality:



Color temperature:



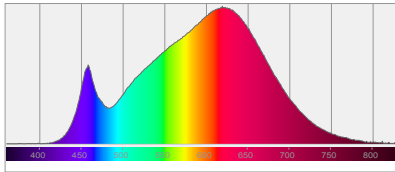
Product name:
Par Z100 3K

Test:
30deg

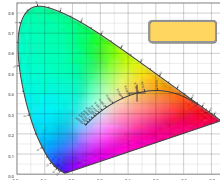
Date:
10/2/2017

Output: 4592 lm Power consumption: 100 W Peak: 19512 cd

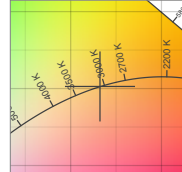
Spectral distribution



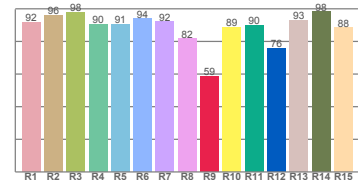
Color coordinates



Zoom color point

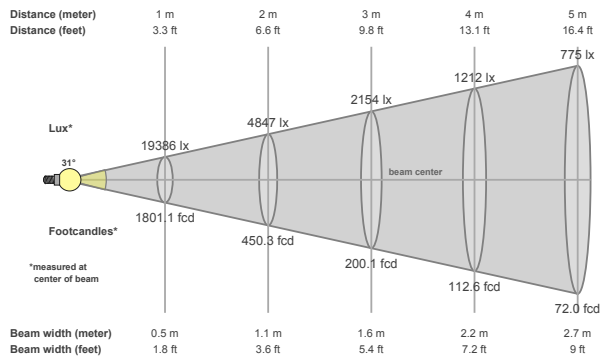


CRI R values



Color temperature	Color rendering index	Red component	Color fidelity	Color gamut	Color quality scale	Color coordinate cie 1931	Color coordinate cie 1931	Color coordinate	Color coordinate	Color deviation from black body
CCT	CRI	CRI R9	TM30 Rf	TM30 Rg	CQS	x	y	u	v	Δuv
3072 K	91.8	58.6	88.8	97.6	89.7	0.432	0.403	0.248	0.347	0.0002

Beam details



Beam angels

Beam angle 50%	Field angle 10%	Cutoff angle 2,5%
30.6°	42.2°	46.4°

Beam intensities

Peak intensity	Int. ratio in 120° cone	Int. ratio in 90° cone
19512 cd	98.0%	97.7%

Power

Power	Power factor	Power frequency
100 W	0.99	60.1 Hz

Nominal voltage	Voltage	Current
230 V	117 V	0.867 A

Beam intensities from 1-20m

1m	2m	3m	4m	5m	6m	7m	8m	9m	10m	11m	12m	13m	14m	15m	16m	17m	18m	19m	20m
3.3ft	6.6ft	9.8ft	13.1ft	16.4ft	19.7ft	23ft	26.2ft	29.5ft	32.8ft	36.1ft	39.4ft	42.7ft	45.9ft	49.2ft	52.5ft	55.8ft	59.1ft	62.3ft	65.6ft
19386lx	4847lx	2154lx	1212lx	775lx	539lx	396lx	303lx	239lx	194lx	160lx	135lx	115lx	99lx	86lx	76lx	67lx	60lx	54lx	48lx
1801.1fcd	450.3fcd	200.1fcd	112.6fcd	72fcd	50fcd	36.8fcd	28.1fcd	22.2fcd	18fcd	14.9fcd	12.5fcd	10.7fcd	9.2fcd	8fcd	7fcd	6.2fcd	5.6fcd	5fcd	4.5fcd