

with a stereo or mono line level signal.

... anywhere you need to mix a mic

- Broadcast

- Live

- Studio

ROLLS

PM50s PERSONAL MONITOR

Monitor Amplifier

PM50s Personal

ROLLS

## PM50s Personal Monitor Amplifier

The PM50 is the "more me" box. It allows you to mix a mic signal and a stereo OR mono line level monitor signal, and hear them via headphones or earphones.

- XLR Mic In & Pass Thru
- Ground Lift on XLR Thru
- Mono or Stereo 1/4" Monitor Input
- 1/4" and 1/8" Phone Outputs
- Lots of output level, it's loud.

PM50s Personal Monitor



**ROLLS**  
 MADE IN USA  
 www.rolls.com  
 Rolls Corporation  
 Salt Lake City, UT  
 02/09



### INTRODUCTION

Thank you for your purchase of the PM50s Stereo Personal Monitor Amplifier. This unit is a unique device for monitoring ones self and program material at the same time. It has a monitor level control and a mic level control, a mic pass-through XLR jack, 1/4" and 1/8" phone jacks, and a switchable mono/stereo 1/4" monitor input jack. The Mic In and Thru has a switchable ground lift for elimination of ground loops.

The PM50 is designed for performers who need to monitor their own signal, such as their vocals, with the main mix. It has become very popular with drummers who need to mix a click track with a monitor signal. Church choir singers love the PM50 to monitor their voices over the musicians. And many sound technicians use the PM50 as a quick line tester to troubleshoot audio systems.

**For warranty information including product registration, see our website at [www.rolls.com](http://www.rolls.com).**

**Also included on the website are application notes and connection diagrams for the PM50s as well as the PM52 and PM351.**

### DESCRIPTION

**MIC THRU:** XLR jack paralleled (hard-wired) to the MIC INPUT jack for pass-through to a mixer or other input device.

**MIC INPUT:** XLR balanced jack for connection to a condenser or dynamic microphone.

**gnd/lift:** Header jumper for connecting or disconnecting the XLR ground (pin 1) to chassis ground. The PM50s is configured at the factory with pin 1 connected to ground.

**MONITOR INPUT:** 1/4" TRS stereo jack for connection to a line source such as a mixer monitor/auxiliary output, cassette player output, CD player output etc.

**stereo/mono:** Header jumper to configure the Monitor input for TRS stereo or TS mono operation. The PM50s is configured at the factory in stereo mode.

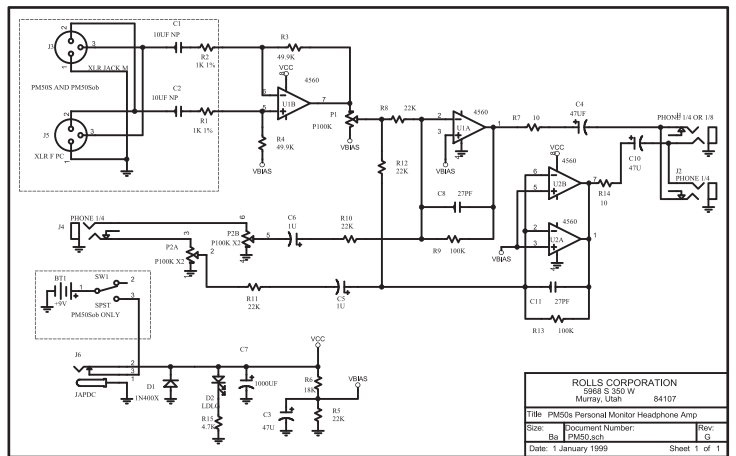
**9 - 17 VAC/DC:** For connection to the external AC power adapter.

**MONITOR VOLUME:** Adjusts the level of the incoming signal from the Monitor Input.

**MIC VOLUME:** Adjusts the level of signal coming from the MIC INPUT.

**HEADPHONE OUTPUTS:** Two 1/4" Stereo jacks for connection to stereo headphones.

### Schematic



### SPECIFICATIONS

Max Input Level: -20 dB XLR, 40 dB monitor

Output Impedance: 10 Ohms

Gain: 15 dB 1/4", 50 dB XLR

Bandwidth: 20 - 20 kHz

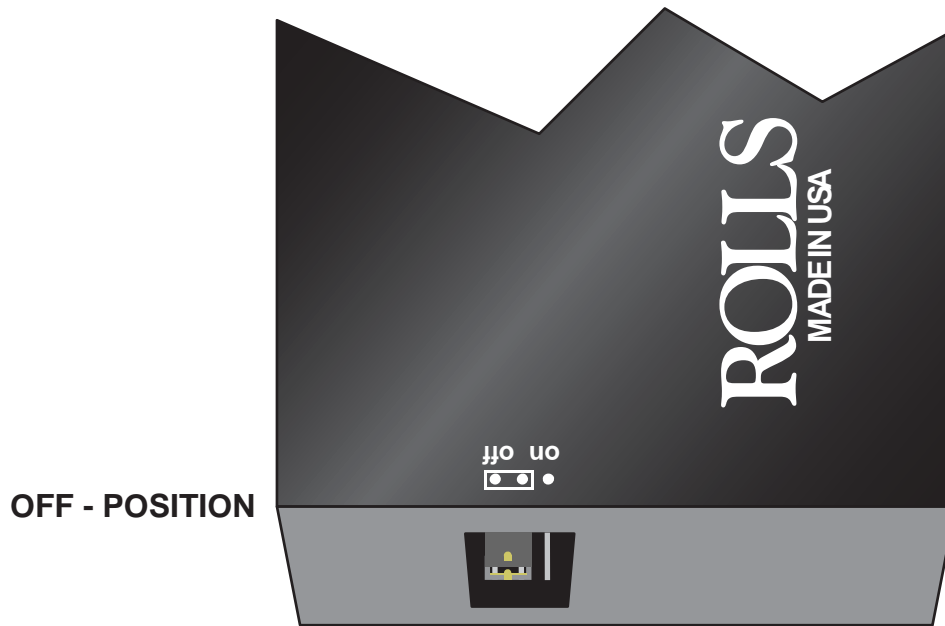
S/N Ratio: 90 dB

Power: 9 - 18 VAC/DC

Size: 3" x 2.5" x 1.25" (7.6 x 6 x 3.2 cm)

Weight: 1 lb (.45 Kg)

## Rolls Bridge Clip/Jumper Wire explanation



Rolls utilizes a way of switching with a three pin jumper wire system attached to the P.C.B. It uses an external bridge clip to act as a switch for changing between two preset unit options.

- To switch between options the Bridge clip can be moved from one option/side to the other just like a switch.
- To do this simply grab the bridge clip with a pair of needle nose pliers or tweezers and pull outward from the unit disconnecting it from the pins of the unit completely.
- The middle pin is utilized in either position. In the above illustration (OFF) the middle pin is connected to the left side pin with the bridge clip to have the unit OFF.
- To select the (ON) position connect the middle pin and right pin together with the bridge clip as in the illustration below.

Please note that you must follow the silk screening of the unit to know what the jumper wire does and to which side is on or off. All of our units are different, but great care is taken to insure that the silk screening is correct.

