

Smart Videohub CleanSwitch 12x12



Compact 6G-SDI router with built in re-synchronizers on all inputs allows clean switching between all video sources of the same video standard, and can be used as 12 re-synchronizers for automatic re-timing of SDI feeds. Smart Videohub CleanSwitch supports 12 inputs and 12 outputs in virtually all SD, HD and Ultra HD video formats. Supports multiple formats on the same router at the same time and will clean switch between multiple formats that match the reference frame rate when the switching is between the same video standard. Includes front panel button and spin knob routing, elegant machined metal front panel with LCD for routing display and video monitoring and remote Ethernet control.

\$1,495

Connections

SDI Video Inputs

12 x 10-bit SD-SDI, HD-SDI and 6G-SDI.

SDI Video Outputs

12 x 10-bit SD-SDI, HD-SDI and 6G-SDI.

SDI Rates

270Mb, 1.5G, 3G, 6G.

Video Input Re-Sync

On all 12 inputs for clean switch.

SDI Reclocking

On all SDI outputs.

Reference Input

Tri-Sync or Black Burst.

Control Panel Connection

Ethernet.

Serial Control Connection

RJ-6 RS-422.

Multi Rate Support

Auto detection of SD, HD or 6G-SDI. Simultaneous routing of 4K, HD and SD video.

Updates

USB

Front Panel Router Control

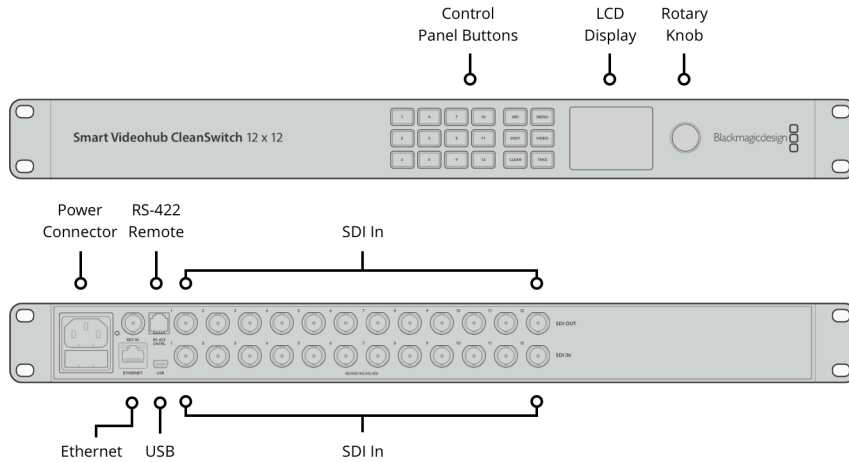
12 buttons for local control of Videohub. 6 buttons and scroll wheel for control of LCD display or RJ45 Ethernet.

Router Configuration

Via front panel LCD or RJ45 Ethernet.

RS-422 Router Control

1 x input for controlling router crosspoint switching.



Standards

SD Video Standards

525i59.94 NTSC, 625i50 PAL.

HD Video Standards

720p50, 720p59.94, 720p60
 1080p23.98, 1080p24, 1080p25,
 1080p29.97, 1080p30, 1080p50,
 1080p59.94, 1080p60
 1080PsF23.98, 1080PsF24,
 1080PsF25, 1080PsF29.97, 1080PsF30
 1080i50, 1080i59.94, 1080i60

2K Video Standards

2K DCI 23.98p, 2K DCI 24p, 2K DCI
 25p
 2K DCI 23.98PsF, 2K DCI 24PsF, 2K
 DCI 25PsF

Ultra HD Video Standards

2160p23.98, 2160p24, 2160p25,
 2160p29.97, 2160p30

4K Video Standards

4K DCI 23.98p, 4K DCI 24p, 4K DCI
 25p

SDI Compliance

SMPTE 259M, SMPTE 292M, SMPTE
 296M, SMPTE 424M, SMPTE 425M
 Level A and B, ITU-R BT.656 and ITU-
 R BT.601.

SDI Video Sampling

4:2:2 and 4:4:4

SDI Audio Sampling

Television standard sample rate of
 48kHz and 24 bit.

SDI Color Precision

10-bit 4:2:2 and 4:4:4

SDI Color Space

YUV or RGB.

SDI Auto Switching

Automatically selects between SD-
 SDI, HD-SDI, and 6G-SDI on each
 input.

SDI Metadata Support

Video payload identification ancillary
 data as per SMPTE 352M.

Control

Built in Control Panel

12 buttons for local control of
 Videohub with 6 buttons and scroll
 wheel for menu control. 2.2 inch
 color display.

External Control Panel

Includes Blackmagic Videohub
 software control panel for Mac and
 Windows. Supports Blackmagic Smart
 Control and Blackmagic Master
 Control hardware panels. Includes
 Blackmagic Videohub SDK and
 Ethernet Videohub Control Protocol.

Software

Software Control

Router control included free for Windows™ and Mac™.

Internal Software Upgrade

Via included updater application.

Operating Systems



Mac 10.15 Catalina,
Mac 11.1 Big Sur or later.



Windows 10, 64-bit.

Display

Built in LCD for video and menu settings.

Power Requirements

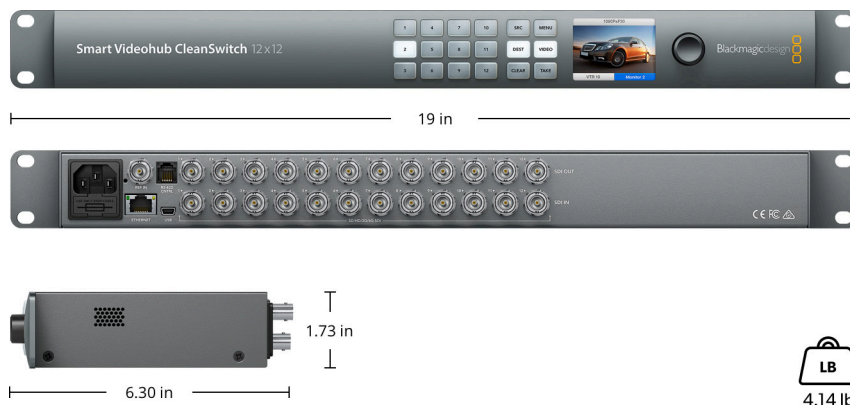
Power Fail Protection

Router connections preserved and restored instantly at power on.

Power Supply

IEC power cable required. 100 - 240V AC input.

Physical Specifications



Physical Installation

1 rack unit size. Less than 6 inches deep.

Environmental Specifications

Operating Temperature	Storage Temperature	Relative Humidity
0° to 40° C (32° to 104° F)	-20° to 45° C (-4° to 113° F)	0% to 90% non-condensing

What's Included

Smart Videohub CleanSwitch 12x12
SD card with software and manual

Warranty

3 Year Limited Manufacturer's Warranty, and 12 Month Warranty on the front panel.

All items on this website are copyright Blackmagic Design Pty. Ltd. 2021, all rights reserved. All trademarks are property of their respective owners. MSRP includes duties, but excludes sales tax and shipping costs. This website uses remarketing services to advertise on third party websites to previous visitors to our site. You can opt out at any time by changing cookie settings. [Privacy Policy](#)

Blackmagic Design Authorized Reseller