



RDL[®]
Radio Design Labs

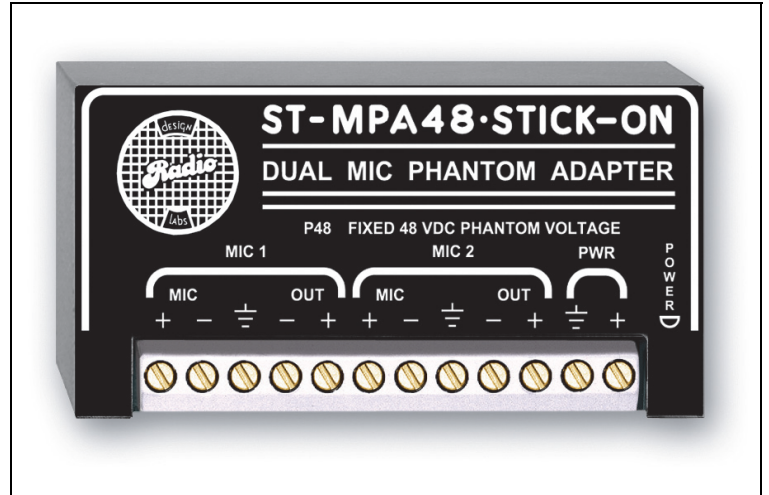
SPECIALISTS IN PRACTICAL PRECISION ENGINEERING™

STICK-ON[®] SERIES

Model ST-MPA48

Dual Microphone Phantom Adapter

- Phantom Adapter for Two Mics
- 48 Vdc Fixed Phantom Voltage
- P48 per IEC 61938
- Operates From External 12 V Battery or 24 V Power Supply
- Phantom Conversion with Full Frequency Response



The ST-MPA48 is part of a group of products in the STICK-ON series from Radio Design Labs. The durable bottom adhesive permits quick, permanent or removable mounting nearly anywhere or it may be used with RDL's STR-19A or STR-19B racking adapters for rack mounting! The ST-MPA48 allows any existing microphone input to be converted to a phantom mic input for use with any condenser microphone, with a big plus, you can put it where you need it! STICK-ONS are designed, built and rated for continuous duty in professional A/V systems.

APPLICATION: The ST-MPA48 contains two identical phantom power circuits and a common power supply input. If only one mic input is to be converted for phantom operation, only one circuit needs to be used. Each circuit has a mic input and a mic output. Phantom voltage appears on each of the mic input terminals. Therefore, the ST-MPA48 can convert any existing mic input into a 48 Vdc phantom powered input. Phantom voltage is not present on the output terminals.

The power supply input terminals may be fed with any dc voltage from 10.5 volts to 26 volts.



STICK-ON[®] SERIES

Model ST-MPA48

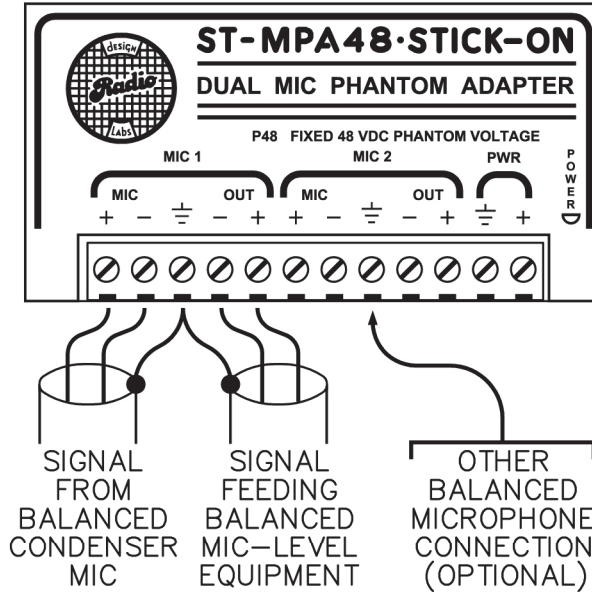
Dual Microphone Phantom Adapter

Installation/Operation

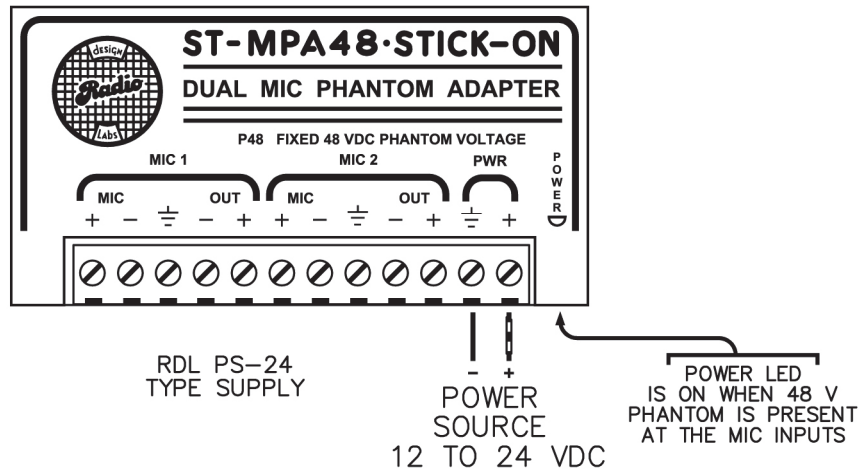


Declaration of Conformity available from rdlnet.com.
Sole EMC specifications provided on product package.
Specifications are subject to change without notice.

AUDIO WIRING



SUPPLY WIRING



TYPICAL PERFORMANCE

Channels:	2
Frequency Response:	20 Hz to 100 kHz (± 0.025 dB, 150 Ω source, 1 k Ω load)
Phantom Voltage:	P48, 48 Vdc
Standard for Phantom:	IEC 61938: 2013
Input Voltage Range:	10.5 Vdc to 26 Vdc (for 48 Vdc output)
Ambient Operating Environment:	0° C to 55° C
Power Requirement:	GROUND-REFERENCED, 12 Vdc @ 150 mA (with 20 mA load) 24 Vdc @ 80 mA (with 20 mA load)

Radio Design Labs Technical Support Centers

U.S.A. (800) 933-1780, (928) 778-3554; Fax: (928) 778-3506

Europe [NH Amsterdam] (+31) 20-6238 983; Fax: (+31) 20-6225-287