

Blackmagic URSA Studio Viewfinder



\$1,795

When you're working live in the studio or out at an event in a large venue such as a stadium, the URSA Studio Viewfinder gives you everything you need to comfortably operate your URSA Mini in live production! The bright 7" screen has a detachable sunshade and includes large handles and an articulated pivot mount that let you position and move the viewfinder independent of the camera! The large rotary control dials and customizable function buttons let you make on the fly adjustments without having to take your eyes off the action! Set up is quick and easy using the included V-Lock plate and it connects directly to the SDI monitor and power output on your URSA Mini, so you don't need additional cables or power supplies.

Connections

SDI Video Input

1 x HD/Ultra HD 3G-SDI via BNC.

Power Input

1 x 4 pin XLR 12V.

Screen Dimensions

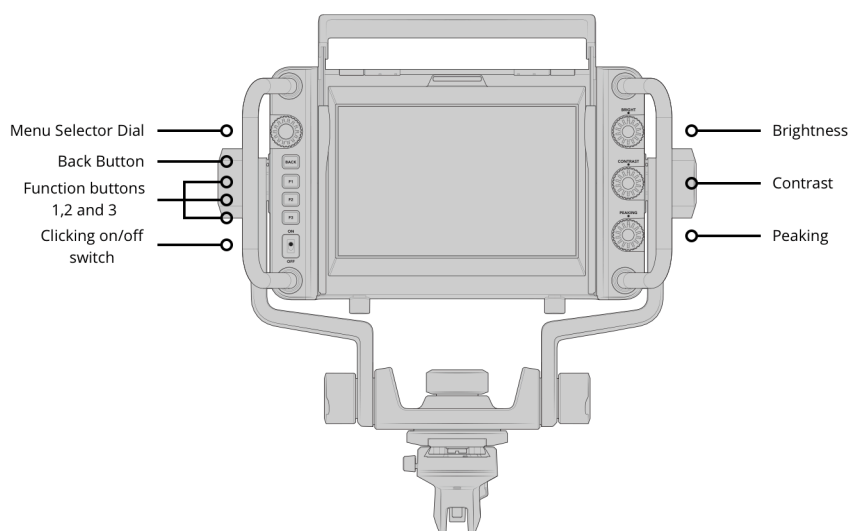
7" 1920 x 1200 resolution.

Screen Type

7" IPS LCD.

Computer Interface

1 x USB type C connector for initial setup and software updates via Blackmagic Camera Setup software.



SDI Video Standards

HD Format Support

720p50, 720p59.94, 720p60
1080p23.98, 1080p24, 1080p25,
1080p29.97, 1080p30, 1080p50,
1080p59.94, 1080p60
1080i50, 1080i59.94, 1080i60

SDI Compliance

SMPTE 259M, SMPTE 292M, SMPTE
296M, SMPTE 425M 2084.

Video Sampling

4:2:2 YUV.

Color Precision

10-bit.

Color Space

REC 601, REC 709.

Multiple Rate support

SDI switches between 1.5 Gb/s HD
and 3.0 Gb/s 60P HD.

Monitor Features

Controls

Dial, knobs and customizable
function buttons for settings, short
cut features and navigating menus.

Handles

Built in grab handles for positioning
the monitor independently from
the camera.

Position Adjustment Options

Variable tension pivot points for
articulated arm and grab handles
with forward, backward, up, down,
pan and tilt adjustments.

Mounting Options

Quick release V-lock mounting
bracket for attaching viewfinder to
URSA Mini handle.

Tally

Large LED tally light with
customizable perspex
camera numbers.

Metadata Support

Detects camera information
embedded in the SDI signal including
status information, frame guides,
focus peaking, tally, and more.

Screen Interface

On screen meters and status
information including Camera ID,
resolution, frames per second,
shutter speed, gain, white balance,
camera battery level, and more.

3D Lookup Table Support

LUT support for loading custom LUTs.

Operating Systems



Mac 10.14 Mojave,
Mac 10.15 Catalina or later.



Windows 8.1 and 10.

Power Requirements

12V power input via 4 pin XLR connected via URSA Mini 12v power output.

Physical Specifications



Environmental Specifications

Operating Temperature

0° to 40° C (32° to 104° F)

Storage Temperature

-20° to 60° C (-4° to 140° F)

Relative Humidity

0% to 90% non-condensing

What's Included

Blackmagic URSA Studio Viewfinder

Warranty

12 Month Limited Manufacturer's Warranty.

All items on this website are copyright Blackmagic Design Pty. Ltd. 2020, all rights reserved. All trademarks are property of their respective owners. MSRP includes duties, but excludes sales tax and shipping costs. This website uses remarketing services to advertise on third party websites to previous visitors to our site. You can opt out at any time by changing cookie settings. [Privacy Policy](#)

Blackmagic Design Authorized Reseller